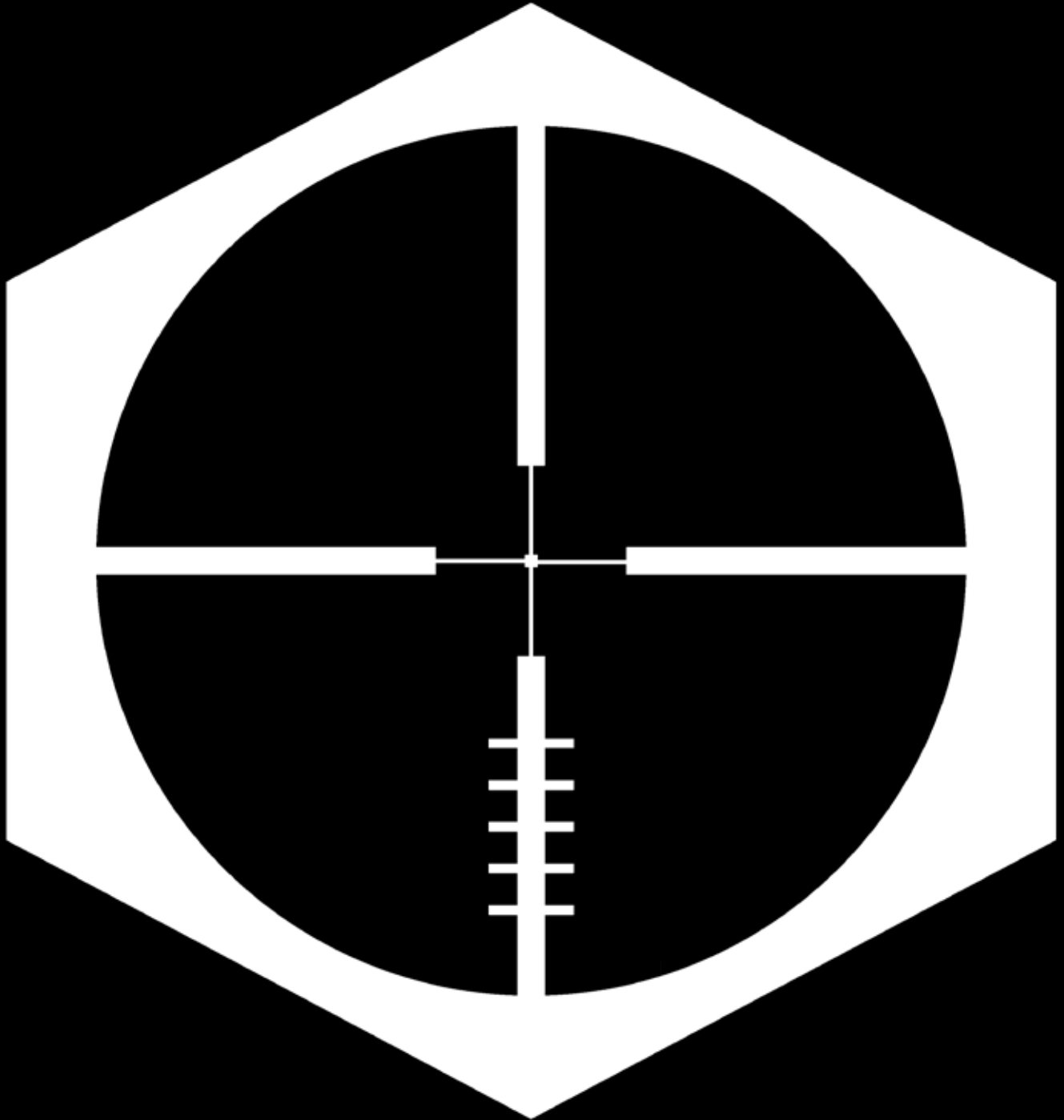




MEX TECHNOLOGIES



# OFFER





# ABOUT US



MEXTECHNOLOGIES is a company specialized in supplying a wide range of military equipment, services and technology for police and armed forces as well as civilian facilities for selected industries.

In export our activities focus on selected markets, including the Middle East, North and West Africa and India, offering to our partners as well as consistently growing group of new customers, Polish and foreign equipment, technology and wide range of services.

Having begun its activities in 2004 MEXTECHNOLOGIES uses over 60 years of achievements, commercial experience and the best traditions of MEXTECHNOLOGIES operating since 1949, recognizable in international markets as exporter of machines, tools and production lines. Since 1980, the company has become also engaged in weapons and military equipment trade.

To ensure the highest quality of our services MEXTECHNOLOGIES collaborates with the largest and most reputable manufacturers of special equipment in the world. The emphasis is on cooperation with producers and Research and Development Centers in Poland and other countries in order to combine the latest technology with traditional equipment still used in many parts of the world.

Many years of experience, highly qualified staff and commercial presence for more than half a century in dozens of countries around the world make MEXTECHNOLOGIES a reliable and well proven business partner. Thus, we are able to satisfy even the most sophisticated needs of existing and potential customers.

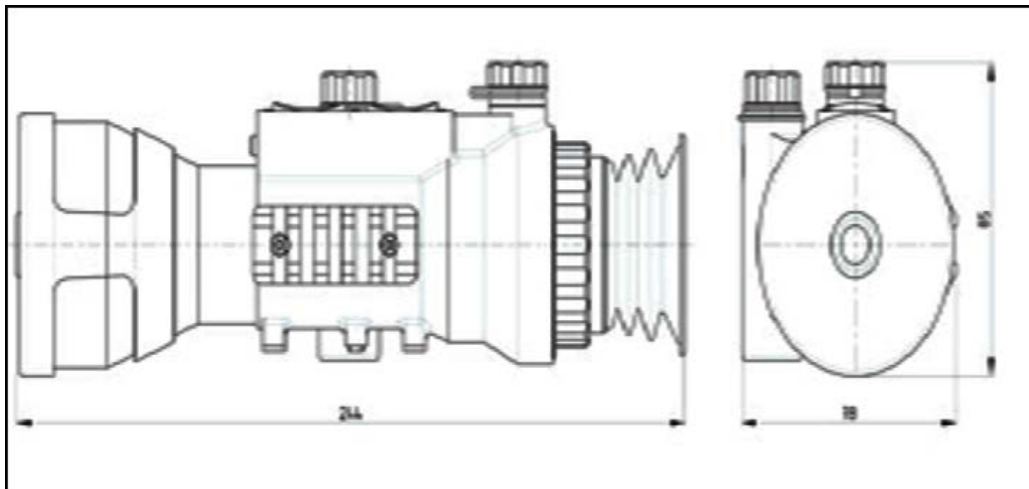
Effective management and organization of combined with the highest competence of our team and constantly developing business connections guarantee the supply of superior products and technology solutions.

We invite you to cooperate with us,  
The Board of MEXTECHNOLOGIES.





## ZN4 LYNX NIGHT VISION WEAPON SIGHT



### OVERVIEW

With full NATO Military Specification Image Intensifier Tubes, DEP XD4 AUTOGATED.

The device is powered by 1pc AA battery with guaranteed 50 operational hours. The Robust and compact construction together with a multi-purpose Mil-Std 1913 (Picatinny rail) quick release interface predetermine the device for various weapons integration. It is mostly advised as a strategically important equipment for modernization of machine guns of various calibers and type and for Dragunov type snipers.





# ZN4 LYNX NIGHT VISION WEAPON SIGHT

## OVERVIEW

### FEATURES

- Meobright
- Meodrop
- Waterproof
- Shock Resistant

### ACCESSORIES

- ZN4 LYNX night vision sight- 1 pc
- LR6 1,5V type AA alkaline battery- 2 pcs
- Universal wrench 1- 1 pc
- Case HPRC 2400 ZN4 LYNX- 1 pc
- Operating and maintenance instructions- 1 pc
- Warranty certificate- 1 pc
- Optical device logbook- 1 pc

### OPTIONAL ACCESSORIES

- Dust cloth - package (200x200, flannel) - 1 pc
- FR6 1,5 V type AA lithium battery - 1 pc
- LS14500 3.6V type AA lithium battery - 1 pc
- Mount assembly  
(as specifically requested by the customer) - 1 pc
- TORX Tx20 wrench 1 pc
- Transportation case to the customer's requirements - 1 pc
- Tactical bag (to the customer's requirements) - 1 pc
- Wrapping for Accessories - 1 pc
- Wrapping for Documentation - 1 pc

### PACKING COMPLETION

- Plastic Transportation Case

## TECHNICAL SPECIFICATIONS

- Magnification	4X
- Field of View (°)	10°
- Device Resolution	≤ 60
- Dioptic Correction Range (*)	-4 to +3
- Objective Focus Range (m)	50 to ∞
- Human Size Target Detection (m)	min. 500*
- Eye Relief (mm)	min. 36
- Rectification Range Vertical (MOA)	± 30
- Rectification Range Horizontal (MOA)	± 30
- Rectifications Step (both directions) (MOA)	0,5
- Shock Resistance (ms <sup>2</sup> )	5.000
- Moisture Resistance (+ 25 °C a. +40 °C) (%)	98
- Operational Temperature Range (°C)	-40 to +60
- Storage Temperature Range (°C)	-45 to +70
- Water Resistance (m / hrs.)	2/2
- Power Source (V)	1,5 (with 1pc AA)-3,6 with Lithium LS14500 3,6 V
- Minimal Operational Time (hrs.)	min 50 with common AA battery/min 100 with Lithium LS14500 3,6 V
- Dimensions L x H x W Inclusive of Mount and Cover	244 x 85 x 78
- Weight with lens cover, eye piece and battery, without mount (g)	max 1.000
- Environmental tests-	NATO MIL-STD 810

(\*) Coefficient of atmospheric clarity min. 0,8 in natural night illumination 3x10<sup>-3</sup> lx.  
When observed target contrast against a background is 0,6





## IIT (IMAGE INTENSIFIER TUBE) XD4 AUTOGATED



### OVERVIEW

AUTO-GATING is a special control electronics solution that is able to switch the tube on and off with a very high frequency, which is imperceptible by the eye.

This innovative function allows the observer to operate in bright ambient light, or even in daylight operations. By keeping the full capability and performance, this function provides an efficient wear-protection of the device. Furthermore, this electronic solution eliminates the glare of the light source by maintaining the performance. Moreover, this function meets the high tactical requirements - for instance by operating under bright lighting conditions, such as military operations in urban terrains, that define many of today's missions.

This special control electronic solution prevents blinding and shadowing by various types of light sources or fire and helps to minimize the abrasion of the tube.



## IIT (IMAGE INTENSIFIER TUBE) XD4 AUTOGATED

### ○ FEATURES

- Type name: XD-4™(XX2040) with AUTO-GATING function
- Tube diameter: 37mm
- Phosphor: P22/P43
- Input window: Glass
- Output window: Inverting fibre-optic
- Type of contacts: Strip contacts
- Specification: On request
- Drawing: On request
- Automatic brightness control (ABC)
- Bright source protection (BSP)

### ○ TECHNICAL SPECIFICATIONS

PARAMETERS	MINIMUM	TYPICAL	MAXIMUM	UNIT
FOM (performance value of a tube):	1200	1536		
Limiting resolution:	50	64		lp/mm
S/N (signal to noise ratio) at 108 $\mu$ lx:	20	24		
Cathode sensitivity at 2850K:	600	700		$\mu$ A/lm
Luminance, gain at 2 $\times$ 10 <sup>-5</sup> lx:	30000/pi	40850/pi	55000/pi	cd/m <sup>2</sup> /lx
MTTF (operational life):	15000			hours
IR wavelength operating range:	350		900	nm
Radiant sensitivity at 800nm:	50	60		mA/W
Radiant sensitivity at 850nm:	40	50		mA/W
Image inversion:	179°	180°	181°	
MTF at 2,5 lp/mm:	88	92		%
MTF at 7,5 lp/mm:	72	80		%
MTF at 15 lp/mm:	54	58		%
MTF at 25 lp/mm:	35	45		%
MTF at 30 lp/mm:	25	35		%
Useful cathode diameter:	17,5			mm
Output uniformity at 2850K:		2:1	3:1	
HALO size (illumination spot 0,2mm):		0,6	0,8	mm
Maximum output brightness:	4	6	8	cd/m <sup>2</sup>
E.B.I. (equivalent background illumination):		0,15	0,25	$\mu$ lx
Shock resistance:	500			G
Weight:		90	95	gram
<b>AUTO-GATING POWER SUPPLY UNIT</b>				
Input voltage:	2		3,7	Volt
Input current:			35	mA
Luminance dynamic range:	1 $\times$ 10 <sup>-6</sup>		5 $\times$ 10 <sup>3</sup>	Lux



## MEX-SWK UNIVERSAL AN-PVS 14



PVS-14 WITH ACCESSORIES

### ○ EXPORT RESTRICTIONS

This product is subject to the jurisdiction of the U.S. Department of State in accordance with the International Traffic in Arms regulations (ITAR) (22CFR 120 through 130). A license or other approval is required to the ITAR prior to any Export or Temporary Import.



PVS-14 WITH AIMPOINT



PVS-14 ON PASGT HELMET

### ○ OVERVIEW

The PVS-14 multi-purpose Night Vision monocular was commissioned by the US Military in the late 90s. Today there are more PVS-14 units currently deployed in NATO Armies than any other night vision device. The AN/PVS-14 was the first real multi-use monocular, allowing it to fulfil a huge variety of Military tasks.

It is also one of the most popular night vision units for law enforcement.

The PVS-14 uses the same chassis, and its battle-proven design is light-weight, tough and has superb optics.

With variable gain control as standard, the PVS-14 can be configured in either Gen 2+ or Gen 3 variants,

and is compatible with a host of accessories allowing it to be hand held,

head/helmet mounted, weapon or camera mounted.

Designed for the most demanding night time Military or law enforcement operations, it is one of the best systems available.



## MEX-SWK UNIVERSAL AN-PVS 14



### ○ FEATURES

- IIT Generation: Gen 3
- Resolution: 47-57 lp/mm
- Magnification: 1x
- Photocathode Type: GaAs
- Lens System: F/1.2; 26mm
- Field of View: 40°
- Focus Range: 0.25m to Infinity
- Diopter Adjustment: -6 to +4 dpt
- Manual Gain Control: Yes
- Bright Light Cut-off: Yes
- Automatic Shut-off System: Yes
- Infrared Illuminator: Yes (built-in with flood lens)
- Power Supply: One AA battery
- Battery Life: Up to 50 hours
- Environmental Rating: Waterproof
- MIL-STD-810: Yes
- Operating Temperature: -51° to +49°C (-59° to +120°F)
- Storage Temperature: -51° to +85°C (-22° to +185°F)
- Overall Dimensions: 114 x 51 x 57 mm (4.5 x 2 x 2.25 in)
- Weight: 0.35 kg (0.77 lbs)
- Warranty: 2 Years

### ○ TECHNICAL SPECIFICATIONS

- Compact, rugged design
- Waterproof
- Head or helmet mountable for hands-free usage
- Manual Gain Control
- Ergonomic, simple, easy to operate controls
- Built-in Infrared illuminator and flood lens
- Limited two-year warranty



MEX TECHNOLOGIES

## AIMPOINT PRO

Aimpoint Patrol Rifle Optic is designed with input from a distinguished group of current and former professionals, the Patrol Rifle Optic incorporates many never before seen features to maximize this sight's performance within the challenging conditions faced by modern law enforcement. The Aimpoint® PRO sight comes in a ready-to-go kit at a budget friendly price, a concept that appeals strongly to Law Enforcement units

### ○ BASIC CHARACTERISTIC

- Aiming dot size - 2 MOA
- Battery type -3V lithium battery, type 2L76 or DL1/3N.
- Battery life - 300 000 h continuous (pos. 7-10)

### ○ COMPLETE AND READY TO MOUNT

The PRO sight contains a QRP2 mount and a standard AR15 spacer which can be removed.

It is also equipped with flip covers, a black front flip cover and a transparent rear flip cover that allows the user to engage a target with both lens covers closed in an emergency situation.

### ○ CUSTOMIZE YOUR SIGHT

Accessories and mounts are available if you want to upgrade your PRO sight. Please note that the appearance of some components of this product such as the rubber strap, the covers for the adjustment screws and the battery lid have recently changed.

### ○ UNIQUE FEATURES

- Always ready - always on. Turn it on for up to 3 years using one single battery.  
No need to fumble with switches prior to use
- 2 minute of angle red dot for accurate target engagement at all distances.
- In service date and battery change date reminders makes inventory tracking and maintenance easy.
- Enhanced speed on target and increased first shot hit probability when compared to iron sights and magnified scopes.
- Compatible with all generations of night vision devices and may be used with Aimpoint 3X Magnifier and Concealed Engagement unit.
- Hard anodized aluminum alloy housing. Rugged enough for real world conditions and waterproof to 150 feet.
- Threaded front lens opening allows use of screw-in antireflection device (ARD).
- Front and rear flip covers keep lenses clean.
- Transparent rear flip cover allows use of the sight (with both eyes open) even with both covers closed in an emergency.
- Battery and adjustment cap retainer straps means you will never lose your pieces.
- Modular mount set up for use on flat-top AR15, M4 Carbine and M16 rifles.  
(Adapter available for carry handle mounting)
- Removable spacer.  
Remove for use on shotguns and sub-guns.
- QRP2 rail grabber mount. Snap knob three times for a perfect mount.  
Will not deform your rail like many other mounts.
- Recessed lens openings helps prevent against impact damage, fingerprints and scratches.





## AIMPOINT PRO

### ○ TECHNICAL SPECIFICATIONS

#### GENERAL SPECIFICATION

Art.No: 12841

#### OPTICAL SPECIFICATIONS

- Operating principle: Reflex collimator sight with LED
- Optical magnification: 1x
- Aiming dot size: 2 MOA
- Dot intensity: Visible against a background luminance of 0.1 to 55 000 lx
- Optical signature: No optical signature is visible at 10 meter distance, front side, on appropriate settings with NVD 3
- Dot color: Peak Wavelength:  $655 \pm 10$  nm
- NVD compatible: Yes
- Optical coating: Anti-reflex, all surfaces and multi-layer. NVDCompatible 1, 2, 3
- Clear aperture: 26 mm
- Eye relief: Unlimited

#### POWER SOURCE

- Battery type: 3V lithium battery, type 2L76 or DL1/3N.
- Battery life - 30 000 h continuous (pos 7-10)
- Power intensity: 4 NVD and 6 Daylight, of which extra bright

#### PHYSICAL SPECIFICATIONS

- Length sight only: 115 mm (4,5")
- Length std conf: 130 mm (5,1")
- Width: 55 mm (2,2")
- Height sight only: 55 mm (2,2")
- Height std conf: 67 mm (2,6")
- Weight sight only (incl battery): 220 g (7,8 oz)
- Weight std conf: 330 g (11,6 oz) incl. Lens Covers, Mount, and Spacer
- Housing material: High Strength Aluminum
- Housing finish and color: Matte black
- Material mount and spacer std conf: High Strength Aluminum
- Surface treatment: Hard anodized, matte

- Height of optical axis - sight and mount: 30 mm (1,2") over top surface of Picatinny/Weaver Rail
- Height of optical axis - sight, mount and Micro spacer XX: 39 mm (1,5") over top surface of Picatinny/Weaver Rail
- Adjustment: Range  $\pm 1$  m at 100 meters ( $\pm 1$  yds at 100 yds) in windage and elevation, 1 click = 13 mm at 100 meters = 10 mm at 80 meters = 1/2 at 100 yds

#### ENVIRONMENTAL SPECIFICATIONS

- Temperature range operation:  $-45^{\circ}\text{C}$  to  $71^{\circ}\text{C}$  ( $-49^{\circ}\text{F}$  to  $160^{\circ}\text{F}$ )
- Temperature range storage:  $-51^{\circ}\text{C}$  to  $71^{\circ}\text{C}$  ( $-60^{\circ}\text{F}$  to  $160^{\circ}\text{F}$ )
- Temperature shock: Operable after a temperature shock between  $-45^{\circ}\text{C}$  and  $+71^{\circ}\text{C}$ . Duration: 4h of Hot  $+71^{\circ}\text{C}$ , 4h of Cold  $-45^{\circ}\text{C}$ . Cycling: 3 times
- Humidity: Operates despite humidity. Limits: RH: 95%, Temp:  $20^{\circ}\text{C}$  to  $50^{\circ}\text{C}$ , cyclic
- Immersion, static: Operates after immersion until temperature is stabilized  $+ 10^{\circ}\text{C}$  compared to the water. Limits: Depth: 45 m (150 ft.)
- Shock: Operable before and after shock. Limits: X-axis: 500 g, 0,7 – 1,1 ms (3 shocks), Y-axis: 40g  $\pm 4$ g, 11  $\pm 1$ ms (2 shocks in each direction), Z-axis: 40g  $\pm 4$ g, 11  $\pm 1$ ms, 2 shocks in each direction. Functional during exposure (room temperature)
- Vibration: Operates despite vibration. Limits: Vibration, sinusoidal in a frequency range of 10-150 Hz. Frequency: 10-30 Hz,  $\pm 1.587$  mm, Frequency: 30-150 Hz. 5.75 g, 1 octave/min
- Chemical resistance: Withstands occasional contamination of: Hydraulic oil (FSD 8407, Tryckolja 021), Lubricating oil (FSD 8127, Motorolja 5W/30), Lubricating oil (FSD 8220, Smörjfett 220), Lubricating oil (Break Free), Fuels (FSD 8612, Diesel fuel oil), Solvents/cleaning (FSD)







## COMBINED TACTICAL DAY SIGHT FOR SEMIAUTO SNIPERS AND MACHINE GUNS MODEL HXG-2



### OVERVIEW

This very advanced and effective sight is a new development of MEX in collaboration with 2 of worlds most important manufacturers of optical sights.

The kit is created by integration of a Meopta day sight ZD 5x40 RD, meaning it has a magnification of 5 times, entry lent of 40mm and an Aimpoint Micro T1 Red Dot Sight.

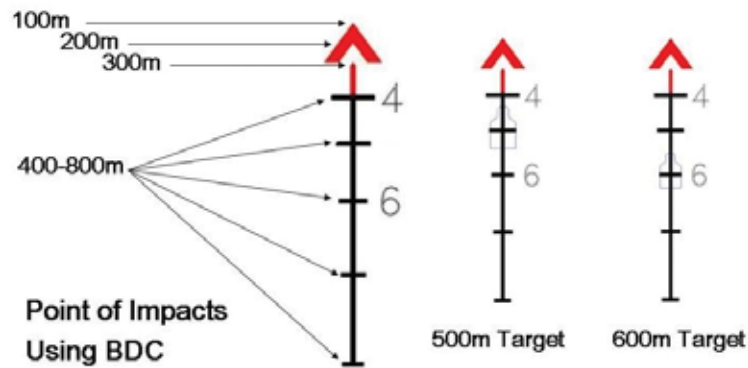


The Meopta ZD 5x40 RD has an illuminated reticle, with a ballitsic drop compesator . Client must give us the type caliber and barrel length of the weapon and type and bullet weight of ammo. The ballistic drop compensator will facilitate aiming with high precision in each given distance in rapid way, and without no need from the operator to do corrections with hands.



## COMBINED TACTICAL DAY SIGHT FOR SEMIAUTO SNIPERS AND MACHINE GUNS MODEL HXG-2

### BULLET DROP COMPENSATOR (BDC) & RANGING CAPABILITY



### OVERVIEW

The ZD 5x40RD will have a stadiametric range finder too.

This sight gives to operator the opportunity to measure the distance of the target than to aim correctly and accurately, all without removing hands from the weapon and in very fast way.

In distances shorter than 100 m, when using the weapon for short range combat, or against moving targets as kamikaze cars, then the operator uses the red dot sight Aimpoint Micro T1, which is installed on top of the 5x40 sight.

The Aimpoint Micro T1 adds only 120 gram of weight to the ZD5x40RD sight, making overall weight of the system 650 Grams, but multiplies its strategic value.

If the sight is used with semi auto snipers, it is suggested to use clip on night vision sight MEO Night which can be rapidly installed in front of the HXG-2 module, and converts it in a night vision sniper sight. When used on machine guns instead, it is suggested to remove it, an operation which takes few seconds and substitute it with our machine gun night vision sight Lynx 4x.

### TECHNICAL SPECIFICATIONS

- Magnification:	5x
- Field of view:	4°
- Exit pupil diameter:	65 mm
- Working temperatures:	-40° C / +60° C
- Standard:	MIL STD 810
- Compatible with night vision devices:	Yes
- Dimensions:	190 x 61 x 66 mm
- Weight:	530 g





MEX TECHNOLOGIES



## AIMPOINT 3X-C



### OVERVIEW

The Aimpoint® 3X-C was developed for the end user, and can be used in conjunction with all Aimpoint® sights for longrange aiming or observation.

A variable (-2 to +2) dioptic setting allows this magnifier to be adapted to the individual shooter's eye.

The 3X-C can also be used as a handheld 3X monocular.

Aimpoint magnifiers utilize the red dot in Aimpoint sights as the aiming reticle, eliminating the need for re-zeroing when shifting between non-magnified and magnified aiming.

The 3X-C is encased in a shock absorbing protective rubber cover that also creates an ideal ergonomic grip.

Internal optical adjustments make aligning the magnifier and sight quick and easy.

### TECHNICAL SPECIFICATIONS

#### GENERAL SPECIFICATIONS

- Art.No: 200273

#### OPTICAL SPECIFICATIONS

- Optical magnification: 3x
- NVD compatible: Yes
- Field of view (FoV): 6°
- Exit pupil: 6.5 mm
- Eye relief: 56 mm
- Dioptic adjustment:  $\pm 2.0$  D

#### PHYSICAL SPECIFICATIONS

- Length sight only: 103 mm (4")
- Width: 45 mm (1 3/4")
- Height sight only: 45 mm (1 3/4")
- Weight sight only (incl battery): 220 grams (7.8 ounces) including rubber cover

#### ENVIRONMENTAL SPECIFICATIONS

- Temperature range operation: Operation at a temperature of -35 °C to +55 °C
- Temperature range storage: Storage at a temperature of -35 °C to +55 °C
- Temperature shock: From -25°C to +40 °C
- Humidity: +40 °C, RH: 95 %
- Immersion, static: Immersion to a depth of 0.5 m







MEX TECHNOLOGIES

## AIMPOINT MICRO T-1



### OVERVIEW

No matter what your mission, the size and weight of your equipment is a critical factor. With the Aimpoint® Micro T-1, Aimpoint has introduced an aiming system that provides the performance of our full-sized sights in the smallest package possible. Since its introduction in 2007, the Aimpoint® Micro T-1 has become very popular worldwide due to its size, light weight and robust build quality.

### COMPLETE AND READY TO MOUNT

The standard configuration of the Aimpoint® Micro T-1 contains the sight, a Picatinny mount and bikini rubber lens covers.

### UNIQUE FEATURES

- Ideal for rifles, carbines, shotguns, submachine guns, and handguns
- Weight 3.7 oz. (105g) including mount, sight only 3.0 oz. (84g)
- 1X (non-magnifying) parallax free optic
- Compatible with all generations of Night Vision Devices (NVD)
- 4 night vision compatible settings and 8 daylight settings – one extra bright for use with laser protection glasses or in bright desert sunlight
- Integral Picatinny-style base allows easy attachment to any rail
- Patent pending mount is keyed to the sight body to absorb recoil
- New ACET technology allows 50,000 hours (over 5 years) of constant operation with one battery
- Available in 2 dot sizes (2 and 4 MOA)
- Hard anodized non-reflective finish
- Submersible to 80 feet (25 meters)
- Precision adjustments for windage and elevation: top of protective caps fits into holes on adjustment screws – no other tool required
- Use as a standalone sight or piggybacked on larger magnifying, thermal, or night vision optics.



## AIMPOINT MICRO T-1

### ○ TECHNICAL SPECIFICATIONS

#### GENERAL SPECIFICATIONS

- Art.No: 12417 (2MOA), 11830 (4MOA)

#### OPTICAL SPECIFICATIONS

- Operating principle: Reflex Collimator sight with LED
- Optical magnification: 1x
- Aiming dot size: 2 or 4 MOA
- Dot intensity: Visible against a background luminance of 0,1 to 55 000 lx
- Optical signature: No optical signature is visible at 10 meter distance, front side, on appropriate settings with NVD 3
- Dot color: Peak Wavelength: 650 ± 10 nm  
NVD compatible: Yes
- Optical coating: Anti-reflex, all surfaces and multi-layer. NVDCOMPATIBLE 1, 2, 3
- Clear aperture: 20 mm
- Eye relief: Unlimite

#### POWER SOURCE

- Battery type: 3V lithium battery, type CR2032.
- Battery life - Day time use: 5 years (50 000h) of continuous use at pos. 8 and over 10 months at pos. 10.  
Responds to >500 000 hours at NVD setting (pos. 2)
- Power intensity: 4 NVD and 8 Daylight, of which 1 extra bright

#### PHYSICAL SPECIFICATIONS

- Length sight only: 62 mm (2 7/16")
- Length conf: 69 mm (2 3/4")
- Width: 41 mm (1 9/16")
- Height sight only: 36 mm (1 3/8")
- Height conf: 41 mm (1 9/16")
- Weight sight only (incl battery): 84 g, ( 3,0 oz)
- Weight conf: 116 g (4,1 oz) incl.  
Lens Covers and Mount
- Housing material: High Strength Aluminum
- Housing finish and color: Matte black
- Material mount and spacer std conf: High Strength Aluminum

- Surface treatment: Hard anodized, matte
- Height of optical axis - sight and mount: 18 mm (11/16") over top surface of Picatinny/Weaver Rail
- Height of optical axis - sight, mount and low spacer: Spacer low: 48 mm (1 7/8") over top surface of Picatinny/Weaver Rail
- Height of optical axis - sight, mount and high spacer: Spacer high: 57 mm (2 3/16") over top surface of Picatinny/Weaver Rail
- Adjustment: Range ±1 m at 100 meters (±1 yds at 100 yds) in windage and elevation, 1 click = 13 mm at 100 meters = 10 mm at 80 meters = 7/16" at 100 yds

#### ENVIRONMENTAL SPECIFICATIONS

- Temperature range operation: -45°C to 71°C (-49°F to 160°F)
- Temperature range storage: -51°C to 71°C (-60°F to 160°F)
- Temperature shock: Operable after a temperature shock between -45°C and +71°C.  
Duration: 4h of Hot +71°C, 4h of Cold -45°C.  
Cycling: 3 times
- Humidity: Operates despite humidity.  
Limits: RH: 95%, Temp: 20°C to 50 °C, cyclic
- Immersion, static: Operates after immersion.  
Limits: Depth: 25m (83 ft.)
- Shock: Operable before and after shock.  
Limits: X-axis: 500 g, 0.7 – 1.1 ms (3 shocks),  
Y-axis: 40g ±4g, 11 ±1ms (2 shocks in each direction,  
Z-axis: 40g ±4g, 11 ±1ms, 2 shocks in each direction.  
Functional during exposure (room temperature)
- Vibration: Operates despite vibration.  
Limits: Vibration, sinusoidal in a frequency range of 10-150 Hz. Frequency: 10-30 Hz, ±1.587 mm, Frequency: 30-150 Hz. 5.75 g, 1 octave/min
- Chemical resistance: Withstands occasional contamination of: Hydraulic oil (FSD 8407, Tryckolja 021), Lubricating oil (FSD 8127, Motorolja 5W/30), Lubricating oil (FSD 8220, Smörjfett 220), Lubricating oil (Break Free), Fuels (FSD 8612, Diesel fuel oil), Solvents/cleaning (FSD)



## AIMPOINT CEU



### ○ OVERVIEW

The Aimpoint® CEU (Concealed Engagement Unit) gives the operator the ability to observe and/or engage a threat from a concealed or covered position. The Aimpoint CEU easily rotates from side to side, so an operator can safely look around either right or left-hand corners, over barricades and under vehicles. It can also be quickly removed in order to rapidly return to direct engagement.

### ○ MECHANICAL INTERFACE

The Aimpoint CEU rotates a full 260° allowing the operator to safely look around either right or left-hand corners, up staircases or down tunnels from almost any angle. To mount the CEU, use the Aimpoint TwistMount base and choose the CEU ring which allows co-witnessing with the Aimpoint sight.

### ○ UNIQUE FEATURES

- Rugged, affordable device
- Small and light
- Easily removed from the weapon if necessary
- Turns a standard infantry weapon into a scouting tool
- No need to equip a team member with a specialized weapon
- Rotates a full 260°
- Designed to withstand extreme condition
- Designed to be compatible with all Aimpoint® sights
- Designed to provide a "true image", NOT a reversed mirror reflection
- Allows aiming over walls, under cars, around corners without exposing head and torso
- Does not affect the weapon's point of impact
- Can be passed between team members





## AIMPOINT CEU

### ○ TECHNICAL SPECIFICATIONS

#### GENERAL SPECIFICATIONS

- Art.No: 12156

#### OPTICAL SPECIFICATIONS

- Operating principle: Dual mirror reflective device for true target view
- Optical magnification: 1x
- Aiming dot size: Uses the reticle of the combining sight
- Optical signature: No optical signature
- NVD compatible: No
- Clear aperture: 25 mm
- Eye relief: Unlimited

#### POWER SOURCE

- Battery type: No power required

#### PHYSICAL SPECIFICATIONS

- Length conf: 90 mm (3 9/16")
- Width: 115 mm (4 1/2")
- Height sight only: 40 mm (1 9/16") CEU only, detached from the CEU Rise Ring and TwistMount base
- Height conf: No standard config, can be mounted with 2 different configs.
- Weight sight only (incl battery): 130 g (4,6 oz), CEU only
- Weight conf: With Low Top ring 165 grams (5,8 oz). With High Top ring 185 grams (6,5 oz).
- Housing material: High strength glass reinforced polymer
- Housing finish and color: Grey, nonglare finish
- Material mount and spacer std conf: Used with either the CEU High- or Low Rise Ring
- Surface treatment: Rubber, black, non-glare finish

- Height of optical axis - sight and mount: 30 mm (1 3/16") (CEU Low Rise Ring)
- Height of optical axis - sight, mount and low spacer: 39mm (1 9/16") (CEU High Rise Ring)
- Adjustment: Rotation around optical axis:  $\pm 130^\circ$ , measured from CEU pointing vertically u

#### ENVIRONMENTAL SPECIFICATIONS

- Temperature range operation:  $5^\circ\text{C}$  to  $55^\circ\text{C}$  ( $41^\circ\text{F}$  to  $131^\circ\text{F}$ )
- Temperature range storage:  $-51^\circ\text{C}$  to  $71^\circ\text{C}$  ( $-60^\circ\text{F}$  to  $160^\circ\text{F}$ )
- Temperature shock: Operable after a temperature shock between  $-45^\circ\text{C}$  and  $+71^\circ\text{C}$ . Duration: 4h of Hot  $+71^\circ\text{C}$ , 4h of Cold  $-45^\circ\text{C}$ . Cycling: 3 times
- Humidity: Operates despite humidity. Limits: RH: 95%, Temp:  $20^\circ\text{C}$  to  $50^\circ\text{C}$ , cyclic
- Immersion, static: Operates after immersion. Limits: Depth: 25m (83 ft.)
- Shock: Operable before and after shock. Limits: X-axis: 500 g, 0.7 – 1.1 ms (3 shocks), Y-axis:  $40\text{g} \pm 4\text{g}$ ,  $11 \pm 1\text{ms}$  (2 shocks in each direction), Z-axis:  $40\text{g} \pm 4\text{g}$ ,  $11 \pm 1\text{ms}$ , 2 shocks in each direction. Functional during exposure (room temperature)
- Vibration: Operates despite vibration. Limits: Vibration, sinusoidal in a frequency range of 10-150 Hz. Frequency: 10-30 Hz,  $\pm 1.587\text{ mm}$ , Frequency: 30-150 Hz. 5.75 g, 1 octave/min
- Chemical resistance: Withstands occasional contamination of: Hydraulic oil (FSD 8407, Tryckolja 021), Lubricating oil (FSD 8127, Motorolja 5W/30), Lubricating oil (FSD 8220, Smörjfett 220), Lubricating oil (Break Free), Fuels (FSD 8612, Diesel fuel oil), Solvents/cleaning (FSD)



MEX TECHNOLOGIES

## ASSAULT RIFFLE CAL. 5.56 X 45 NATO



### ○ FULL MILITARY SPECIFICATIONS

- Caliber: 5.56 x 45 NATO
- Operation: Rotary bolt/Piston operated (reliable as a AK47 rifle)
- Overall Length: 29" / 736.6mm collapsed 32.25" / 819.15mm fully extended
- Weight (empty): 7 pounds / 3175.15 grams
- Front Sight: Detachable, post adjustable
- Rear Sight: Detachable tactical or carry handle, windage, elevation, peep adjustments
- Magazine Capacity: 30 rounds
- Finish: Mil Spec Anodized aluminum, Phosphated steel
- Barrel: 12" / 304.8mm machine gun barrel (available available 14.5"/35.6 cm)
- Rifling: 1:7 RH twist, 6 land & groove, chrome bore & chamber
- Rate of Fire: 750-900rpm
- Handguards: 3 Rail Panel Covers supplied
- Buttstock: SOPMOD on 6 position Mil-Spec extension tube
- Flash Hider: A2 Bird Cage
- Fire Control: Safe / Semi/ Auto Selector switch
- Field Maintenance: Easily field strips the same way a standard M16/AR15 but barrel is also easily removable for Field replacement or mission adjustment.
- Includes: Sling, manual, 30rd mag, calibrated torque wrench, 3 rail panels, tactical front & rear sights.

Notes: The CQBPS12 is a piston operated 12" entry rifle. Great for urban and close quarter combat. The piston operated weapon allows the user to fire the weapon suppressed without any of that gas blow back so common in shorter direct gas ARs. Because the receiver is unchanged the end user can still switch to other DI barrels and calibers for other mission specific needs.





MEX TECHNOLOGIES



## CQB16



### OVERVIEW

Magic happens with the turn of two screws. We've combined the monolithic rail platform with the power to customize quickly and easily. You'll appreciate the ease of maintenance and flexibility of optional calibers. We've packed a cost-effective multifunctional arsenal into one versatile weapon **BECAUSE FAILURE IS NOT AN OPTION**

Additional Barrel Options in 5.56 Caliber:

- 10.5" Chromed Lined 1:7" twist
- 14.5" Chromed Lined 1:7" twist
- 18" Stainless Steel 1:7" twist

### TECHNICAL SPECIFICATIONS

- Model: CQB16
- Caliber: 5.56 X 45 NATO
- Operation: Direct Gas / Rotary Bolt
- Weight (empty): 7.45 Pounds / 3.3 Kilograms
- Overall Length: 33" / 838 mm – Collapsed 36.25" / 914 mm – Extended
- Front Sight: Detachable, Post Adjustable
- Rear Sight: Tactical Adjustable Detachable or Carry Handle, Windage, Elevation Peep Adjustments
- Magazine Capacity: 30 Rounds
- Finish: Mil-Spec Anodized Aluminum, Mil-Spec Phosphated Steel
- Barrel: 16" / 406 mm – Chrome
- Rifling: 1:7" / 178 mm RH Twist Chrome Barrel
- Handguards: Mil Std 1913 STANAG 4694 Compliant Rail with 3 Rail Panel
- Buttstock: SOPMOD Buttstock, 6 Position Mil-Spec Extension Tube
- Flash Hider: A2 Bird Cage
- Fire Control: Safe / Fire / Auto Selector Switch
- Field Maintenance: Easily field strips with no special tools, barrel is also easily removable for field replacement or mission adjustment.
- Includes: Sling, Manual, 30 Round Magazine, Calibrated Torque Wrench 3 Rail Panels and Tactical Front and Rear Sights







MEX TECHNOLOGIES

## LMT18



### ○ OVERVIEW

When space is limited As more technology is added to your squad car, you're left with less room for the weapons you need.

So we created a space saving, short barreled weapon that does everything a 16" barreled weapon can do, while allowing you to transition off the chain- BECAUSE FAILURE IS NOT AN OPTION®.

### ○ TECHNICAL SPECIFICATIONS

- Rifling: 1:7" RH Twist - Chrome 178 mm
- Handguards: High Heat Resistant Compression Molded Glass Reinforced Handguards
- Buttstock: SOPMOD Buttstock, 6 Position Mil-Spec Extension Tube
- Flash Hider: A2 Bird Cage
- Bayonet Lug: Yes
- Fire Control: Safe / Semi Selector Switch
- Field Maintenance: Easily field strips with no special tools.
- Includes: Sling, Manual, Magazine, and Tactical Rear Sigh.
- Model: LMT18
- Caliber: 5.56 x 45 NATO
- Operation: Direct Gas / Rotary Bolt
- Weight (empty): 6.17 Pounds / 2.79 Kilograms
- Overall Length: 27.5" / 698.5 mm - Collapsed 30.75" / 781.05 mm - Extended
- Front Sight: M4 Front Sight, Post Adjustable
- Rear Sight: Tactical Adjustable Detachable or Carry Handle, Windage, Elevation Peep Adjustments
- Magazine Capacity: 30 Rounds
- Finish: Mil-Spec Anodized Aluminum, Mil-Spec Phosphated Steel
- Barrel: 10.5" / 266.7 mm M4 Government Profile





MEX TECHNOLOGIES

## CQBPS16



### ○ OVERVIEW

The LMT CQBPS16 makes your armorer's job easier.

It's simple and easier to use, with fewer parts to break and less parts to replace.

This piston-driven system runs cleaner, runs longer and stays cooler, allowing you to put more rounds on target.

This flexible system allows you to make the switch to a 12" SBR version for close quarter needs.

**BECAUSE FAILURE IS NOT AN OPTION.**

Additional Barrel Option 5.56 Piston: 12" Chrome Lined Barrel.

### ○ TECHNICAL SPECIFICATIONS

- Model: CQBPS16
- Caliber: 5.56 X 45 NATO
- Operation: Piston Operated / Rotary Bolt
- Weight (empty): 7.9 Pounds / 3.58 Kilograms
- Overall Length: 33" / 838 mm - Collapsed 36.25" / 920.75 mm - Extended
- Front Sight: Detachable, Post Adjustable
- Rear Sight: Tactical Adjustable Detachable or Carry Handle, Windage, Elevation Peep Adjustments
- Magazine Capacity: 30 Rounds
- Finish: Mil-Spec Anodized Aluminum, Mil-Spec Phosphated Steel
- Barrel: 16" / 406 mm - Chrome
- Rifling: 1:7 / 178 mm RH Twist Chrome Barrel
- Handguards: Mil Std 1913 STANAG 4694 Compliant with 3 Rail Panels
- Buttstock: SOPMOD Buttstock, 6 Position Mil-Spec Extension Tube
- Flash Hider: A2 Bird Cage
- Fire Control: Safe / Fire / Auto Selector Switch
- Field Maintenance: Easily field strips with no special tools, barrel is also easily removable for field replacement or mission adjustment.
- Includes: Sling, Manuel, 30 Round Magazine, Calibrated Torque Wrench, 3 Rail Panels, Tactical Front and Rear Sight.



MEX TECHNOLOGIES



## SHARPSHOOTER



### OVERVIEW

Own a world class weapon for the designated marksman.

The Sharpshooter is the American version of the Type Classified L129A1 used by the U.K. Ministry of Defence.  
BECAUSE FAILURE IS NOT AN OPTION®.

### TECHNICAL SPECIFICATIONS

- Model: Sharpshooter
- Caliber: 7.62 x 51 NATO
- Operation: Direct Gas / Rotary Bolt
- Weight (empty): 9.97 pounds / 4.50 Kilograms
- Overall Length: 35.5" / 901.7 mm – Collapsed 39" / 990.6 mm - Extended
- Front Sight: Flip up, Detachable, Post Adjustable
- Rear Sight: Flip up, Tactical Adjustable Detachable, Windage, Elevation Peep Adjustments Magazine
- Capacity: 20 rounds
- Finish: Mil-Spec Anodized Aluminum, Mil-Spec Phosphated Steel
- Barrel: 16" / 406 mm – Stainless Steel
- Rifling: 1:11.25" / 286 mm 5R Cut RH twist Stainless Steel
- Handguards: Mil Std 1913 STANAG 4694 Compliant Rail With (3) Rail Panel Covers Included
- Buttstock: SOPMOD Buttstock, 6 Position Mil-Spec Extension Tube
- Flash Hider: Surefire Flash Hider
- Fire Control: Safe / Semi Selector switch
- Field Maintenance: Easily field strips with no special tools.
- Includes: Sling, Manual, Calibrated Torque Wrench, 3 Rail Panels, Tactical Flip Up Front and Rear Sights, 8 Magazines, ambi selector, ambi mag release, OTIS .308 Cleaning Kit, Chamber Cleaning Rod, Sight Adjustment Tool, Harris Bipod Assembly, System Comes in a Pelican Case with Custom Foam Cutout and in Flat Dark Earth Furniture.





## STAND ALONE M203



### ○ OVERVIEW

When you need a dedicated grenade launcher platform, BECAUSE FAILURE IS NOT AN OPTION®, you need the Stand Alone M203.

This stand alone platform allows you to use the SOPMOD buttstock to assist with accuracy.

The extended opening allows for use of larger rounds, including buckshot, flare, gas, illumination, smoke, training and other less-than-lethal options.

L2G - 12" Barrel:  
- 15.25" Closed  
- 20.75" Open  
- 4.19 Pounds / 2.22 Kilograms

### ○ TECHNICAL SPECIFICATIONS

- Model: L2F
- Caliber: 40 mm
- Operation: Single Shot / Breech Loading
- Weight (empty): 4.73 Pounds / 2.14 Kilograms – 9" Barrel
- Overall Length: 22.75" Breech Closed and Stock Collapsed Max Length
- Breech Opening 5.5" / 139.7mm 31.5" Breech Open Stock
- Finish: Mil-Spec Anodized Aluminum, Mil-Spec Phosphated Steel
- Rifling: 1:48" / 1,219 mm RH Twist
- Fire Control: Fire / Safe Switch
- Max Effective: 427 Yards / 400 m
- Sights: Uses M203 Leaf Sights, Quad Sights, Reflex Sights and Night Sights
- Ammo: All military issue munitions as well as the longer less than lethal munitions common to law enforcement and security use.
- Special Notes: Launcher is removable for re-mounting on any Mil Std 1913 STANAG 4694 Rail System on alternate weapons.





MEX TECHNOLOGIES

## M203



### OVERVIEW

Overcome any obstacle with the right amount of force. LMT's standard M203 grenade launcher gives your squad's arsenal the power you need, in an integrated full-utility weapons platform. **BECAUSE FAILURE IS NOT AN OPTION®.** This LMT grenade launcher allow you to efficiently and effectively resolve a bad situation and return home safely.

LMP300L360 Barrel Options:  
- 15" Closed – 12" barrel  
- 20.5" Open – 12" barrel  
- 2.64 Pounds / 1.19 Kilograms

### TECHNICAL SPECIFICATIONS

- Model: LMP300EL380
- Caliber: 40 mm
- Operation: Single Shot / Breech Loading
- Weight (empty): 2.47 Pounds / 1.1 Kilograms – 9" Barrel
- Overall Length: 17.5" / 444 mm – Open – 9" Barrel 317.5 mm - Closed - 12.5"
- Breech Opening 5" / 127 mm
- Finish: Mil-Spec Anodized Aluminum, Mil-Spec Phosphated Steel
- Rifling: 1:48" / 1,219 mm RH Twist
- Fire Control: Fire / Safe Switch
- Max Effective Range: 427 Yards / 400 m
- Sights: Uses M203 Leaf Sights, Quad Sights, Reflex Sights and Night Sights
- Ammo: All military issue munitions as well as the longer less than lethal munitions common to law enforcement and security use.
- Special Notes: Handguard mounting kits available for both carbine and rifle length weapons.



MEX TECHNOLOGIES

## PISTOL GRIP M203



### OVERVIEW

Quickly becomes a favorite.

When you strap the Pistol grip M203 grenade launcher to your chest, the bad guys will stop dead in their tracks.

Not only is it visually intimidating, which will buy you time, but it also has the force to back up their fear.

Use the efficient, effective pistol grip M203 as a stand-alone pistol grip device, or attach it to an LMT MRP weapon. BECAUSE FAILURE IS NOT AN OPTION®, you'll find the pistol grip M203 as vital to your job as your bulletproof vest.

L2CPG 12" Barrel:

- 19" Closed
- 24.25" Open
- 3.19 Pounds / 1.45 Kilograms

### TECHNICAL SPECIFICATIONS

- Model: L2BPG
- Caliber: 40 mm
- Operation: Single Shot / Breech Loading
- Weight (empty): 3.01 Pounds / 1.37 Kilograms
- Overall Length: 14.5" / 368.3 mm Closed  
20" / 508 mm Open
- Breech Opening 5.5" / 139.7 mm
- Finish: Mil-Spec Anodized Aluminum,  
Mil-Spec Phosphated Steel
- Rifling: 1:48" / 1,219 mm RH Twist
- Fire Control: Fire / Safe Switch
- Max Effective: 427 Yards / 400 m
- Sights: Use and Rail Mounted M203 Optic or  
Rail Mounted Iron Sights
- Ammo: All military Issue munitions as well as the  
longer less than lethal munitions common to  
law enforcement and security use.
- Special Notes: Launcher is removable for  
re-mounting on any Mil Std 1913 4694 STANAG  
Rail System on alternate weapons.







MEX TECHNOLOGIES

## TACTICAL POLICE PUMP ACTION SHOTGUN CAL 12/70



### ○ OVERVIEW

This is a new police shotgun we developed with Fabarm from Italy, world's leader in manufacture of police shotguns.

### ○ FEATURES

- Barrel drilled from high quality machine gun steel with guarantee for 100.000 shots, and with better resistance of explosion in case barrel is damaged (competition uses normal steel tubes with less resistance)
- Receiver made with high quality aeronautical aluminum alloy and is hard anodized
- Stock, pistol grip and forward grip made of lightweight high quality weapon's grade polymer
- All metallic parts (excluding springs and pins) are coated with a new nanotechnology called Cerakote <https://www.cerakoteguncoatings.com> this makes weapon's metallic parts virtually immortal against corrosion and wear.
- Around the barrel there is an outer protection for barrel made of high resistance steel. This has a dual role, once it protects the barrel against damages during riots, when rioters may use steel bars. If barrel is damaged by a steel bar, or any foreign object has entered in the barrel as can easily happen during violent clashes, then given the nature of gunpowder used in shotguns-fast burning highly explosive, the barrel will explode. If such accident happens, the steel shield protects operator's hands and eyes and other vital parts (throat, front, face) by steel parts of barrel.

- MARTIAL-MEX O.D. GREEN 14 " BARREL  
(total capacity 5+1 cartridges 12/70 mm) CODE: 536.215.099
- MARTIAL-MEX O.D. GREEN 18 " BARREL (MOST SUGGESTED)  
(total capacity 6+1 cartridges 12/70 mm) CODE: 536.213.087
- MARTIAL-MEX O.D. GREEN 20 " BARREL  
(total capacity 7+1 cartridges 12/70 mm) CODE: 536.222.082 PRICE





MEX TECHNOLOGIES

## MEX SEMIAUTO SNIPER- DESIGN MARKSMAN RIFLE (DMR) SYSTEM MODEL MEX-JAD



### OVERVIEW

The semiauto sniper or as it is known, DMR designed marksman rifle is a very important instrument in actual military and police doctrines.

MEX-Jad is a concentration of experience and lessons gathered in modern battlefields last 15 year, united with most advanced production methods and quality control, with a careful eye to ASW (Asymmetric Warfare).

MEX-Jad is a compact, reliable and very accurate weapon, simple to be used and maintained, works on any climacteric condition, and with match grade ammunition, it assures a precision in limits of NATO severe precision requirements of 1.5 MOA (1 MOA is 3 cm at 100 m). This means that a well trained shooter, with match grade ammunition, can put various bullets in a circle of 4.5 cm at 100 m.

MEX-Jad follows the battle proof logic that the DMR must use both very accurate match grade ammo, but it must use and be efficient with common machine gun ammo of same caliber.

MEX-Jad is projected to be used both as a tactical support rifle/sniper rifle for distances up to 800 meters, but is enough compact to be used as a personal rifle for urban warfare, cleaning rooms, FIBUA etc. This would not be possible with old systems as Dragunov, which would require a secondary long weapon to the soldier.

MEX-Jad with its compact size, regolable buttstock of M4 SOCOM inspiration, improved safety, improved magazine well and magazine catch, back-up Aimpoint collimator Micro T1, it is a formidable weapon for close combat, from room cleaning, urban warfare, jungle close contact and any similar scenario.





## MEX SEMIAUTO SNIPER- DESIGN MARKSMAN RIFLE (DMR) SYSTEM MODEL MEX-JAD

### ○ THE SPECIAL FEATURES

#### A- RIFLE

- Cold hammered forged barrel, which means the rifling is created by the very advanced system of cold hammered forging. This assures a longer life of the barrel, and most importantly conservation of accuracy after lot of use.
- The barrel is cryogenically heat treated, in order to relief any stress caused my machining, with decrease of precision.
  - Chrome lined barrel against corrosion and wear of barrel
- Weapon and its parts (excluding pins and springs) are oven coated with Cerakote a recent nano technology which guarantees resistance against wear and corrosion doe to humidity
  - Improved magazine well and magazine catch which makes change of magazines 3-4 times faster than with traditional semiauto snipers
  - Improved safety
- Free-floating barrel for better accuracy (the forward handguard and gas tube do not touch the barrel interfering with its harmonics).

The piccating rail STANAG (Standard Nato Agreement) Mil-STD 1913, is CNC machined by high quality aeronautical aluminum, heat treated and anodized as by highest Nato standards.

  - Regolable gas block to improve accuracy and assure reliability when rifle is uncleaned.
- Regolable buttstock of M4 SOCOM type, which allows to fit the weapon depending to physical structure of the Soldier (muscular mass, height, thorax dimensions, weight, if he has a bullet proof vest or not)
  - Advanced muzzle device which at the same time diminishes the recoil, diminishes the flash and compensates the barrel revelations, in this way allows to repeat the shooting very fast and accurately.
  - Ambidextrous rifle can be used by both right hand and left hand soldiers.

### ○ JAD-54 SPECIFICATION

- Caliber : 7.62x54R
- Barrel's length : 16" (406 mm) or 18" (45.7 mm) as by request
- Total length : Under 1.000 mm
- Weight with magazine and optical system : 5.5kg
- Magazine : 15 rounds
- Barrel twist : 1:12.5 which perfectly stabilizes for long distances both match grade ammo and common machine gun ammo





## MEX SEMIAUTO SNIPER- DESIGN MARKSMAN RIFLE (DMR) SYSTEM MODEL MEX-JAD

### ○ THE SPECIAL FEATURES

2- COMBINED TACTICAL DAY SIGHT MODULE FOR SEMIAUTO SNIPERS AND MACHINE GUNS MODEL HXG-2 COMPOSED BY MEOPTA ZD 5X40RD SNIPER SIGHT AND AIMPOINT BACK UP COLLIMATOR MICTRO T1

Meopta is one of the world's best manufacturers of sniper scopes.

Together we have developed a specific scope for the MEX-Jad sniper (and for machine guns), with a stadiametric range finder and ballistic drop compensated reticle. It has only 5 magnifications, which allows to the shooter to have a wider angle of view, guarantees perfect headshots for the so called Police Sharpshooting (hostage situations in 100 meters and less) life time guarantee and sturdy and reliable. All operations, measuring the distance, aiming at correct distance, are easily and rapidly done with no need from the operator to remove the hands from the weapon.

AIMPOINT BACK UP COLLIMATOR MICTRO T1 installed Meopta sniper scope

The main weakness of a sniper rifle is that it is almost useless for combat/self-defense under 100 meters. For this reason, modern snipers have a red dot collimator with zero magnifications. Aimpoint from Sweden, is the best manufacturer in the world for red dot sights, they are used by most of armies in the world, both Special Forces and common troops. It comes very useful against kamikaze cars too or moving targets in general.



### ○ NIGHT VISION CLIP ON SNIPER SIGHT MEOPTA NV-MAG 1B

This night vision sight has an Image Intensifier Tube of full military specifications.

It is simply installed on the Picatinny rail of the rifle in front of the day sight, converting it to a night sight. Optical Housing manufactured in Czech Republic by Meopta, one of the best manufacturers of optic in the world, Cathodic Tube (Image Intensifier Tube) full NATO Military Specifications, made in Holland. METAEXPORT IS ONE OF THE VERY FEW COMPANIES IN THE WORLD TO SUPPLY NIGHT VISION EQUIPMENT OF FULL MILITARY SEPCIFICATIONS AS BY NATO STANDARDS AND TO CREATE ACCESS TO THE CLIENT TOSUPERVISE ALL PROCESS OF MANUFACTURING IN ORDER TO ENSURE TOP QUALITY.



## NIGHT VISION CLIP ON SNIPER SIGHT MEOPTA NV-MAG 1B

### ○ MEOPTA NV-MAG 1B

This night vision sight has an Image Intensifier Tube of full military specifications.

It is simply installed on the Picatinny rail of the rifle in front of the day sight, converting it to a night sight.

Optical Housing manufactured in Czech Republic by Meopta, one of the best manufacturers of optic in the world,

Cathodic Tube (Image Intensifier Tube) full NATO Military Specifications, made in Holland.

MEXTECHNOLOGIES IS ONE OF THE VERY FEW COMPANIES IN THE WORLD TO SUPPLY NIGHT VISION EQUIPMENT OF FULL MILITARY SPECIFICATIONS AS BY NATO STANDARDS AND TO CREATE ACCESS TO THE CLIENT TO SUPERVISE ALL PROCESS OF MANUFACTURING IN ORDER TO ENSURE TOP QUALITY.



### ○ SPECIFICATIONS

- IIT	DEP XD-4 NATO specifications
- Resolution	min. 45 lp/mm
- Magnification	1 x
- Focus range	10 m to $\infty$
- FOV	12,2°
- Eye relief	min. 35 mm
- Mechanical resistance	MIL-STD 810G
- Shock resistance	5000 ms <sup>-2</sup>
- Operational temperature range	-40°C to +55°C
- Storage temp. range	-45°C to +71°C
- Moisture resistance	95% - +25°C to 40°C
- Hermetic resistance	2 m / 2 h
- Power Source	1,5 V to 3.6 V, (typ AA, CR 123)
- Operational time (+20°C)	min. 50 h (2) min. 100 h (1)
- Dimensions (L x H x W) (3)	198 x 85 x 78mm
- Weight (4)	890 g
- Low battery indication	YES
- Auto switch off	YES after 3 hrs



## MEX SEMIAUTO SNIPER- DESIGN MARKSMAN RIFLE (DMR) SYSTEM MODEL MEX-JAD

### ○ MATCH GRANDE AMMUNITION

The modern semiauto sniper is previewed to be a multiuse platform, from personal assault rifle for close combat, to police sharpshooting in hostage situations up to 100 meters and for tactical support and classical sniping duties until 800 meters.

For this reason, the semi auto sniper works well both with match grade (sniper quality) ammunition and with common machine gun ammunition. However, common machine gun ammo is not accurate at all, and is previewed to be used in case of emergency (no availability of match grade ammo) or in cases the rifle is used as personal battle rifle. On the other hand, match grade ammo is very accurate but is expensive too.

So a combination of use of both match grade and common machine gun ammo is suggested, in order to avoid logistical problems and costs for the Client. We have developed our match grade ammo cal 7,62x54R which is based on legendary match grade ammo 7N1 for Dragunov snipers.

Our ammo is manufactured with most advanced production and quality control technologies, it has a steel core composed from 2 separate elements in order to guarantee efficiency against both soft and hard targets.



### ○ SUPPORT, TRAINING, IMPLEMENTATION, MAINTENANCE, AFTER MARKET SUPPORT

- Case material / Jacket material: bimetal / bimetal
- Average bullet velocity V25, m/s: 815-830 m/s
- The maximum powder gass pressure Pav, Average/Maximum, kg/sm2:
  - Pmax.av.  $\leq$  284,4 MPa(2900kgs/cm2)
  - Pmax.max.  $\leq$  304 MPa(3100 kgs/cm2)
- Bullet mass, g: 9.7-9.9g (151 gr.)
- Cartridge mass, g: 20.5-23.2g
- Firing accuracy, at distance 300 m. sm.:  $\leq$  18 cm.
- Difference between maximum and minimum bullet velocity V25:  $\leq$  35 m/s
- The quantity at cartridges in box, pcs: 500

### ○ NIGHT VISION CLIP ON SNIPER SIGHT MEOPTA NV-MAG 1B

MEX is a Company with nearly 70 years of life in defense industry. Its area of competence, skills, and total commitment to the Client are battle proof in these seven decades.

In each project can be discussed the grade of support required by the Client, and MEX has the highly qualified personnel, the means, and partnerships to fully satisfy any need and requirement of the Client.







MEX TECHNOLOGIES

## MEX-SWK POLICE FLASHLIGHT



### ○ FEATURES

- Best in Class CREE LED with 700 Lumen and uniquely designed integrated reflector & bulb
- Integral user configurable brightness regulator with infinity loop and memory function can scale from 700 to 20 lumen
- Additional strobe mode activated via main body selector pad
- Textured rubber end cap button serves as main power/momentary on/off
- Knurled and slotted body textures throughout for superior handling
- Aggressive serrated strike face
- Removable Tactical Grip Assist and additional Grip Spacer
- Dual end cap lanyard slots
- Supports rechargeable CR123A and 18650 batteries - includes 2 x CR123 non rechargeable



Removable Tactical Grip Assist  
Doubles as a Finger Rest  
for Diverse Tactical Holds and  
Can Be Replaced with an  
Included Grip Spacer for  
Everyday Carry



### ○ TECHNICAL SPECIFICATIONS

- Material: Aluminum
- Flashlight Bulb Type:
- LED Flashlight Voltage(V): 6v
- Flashlight Max. Lumen(Lumens): 700Flashlight
- Battery Operating Time: 12hrs.+
- Switch Operating Type: LIBRE
- Flashlight Focus: Preset
- Battery Type: CR123A/18650
- Reflector Diameter: 37mm
- Pressure Switch Included: Yes
- Diameter: 1"
- Length: 6.7"
- Color: Black





MEX TECHNOLOGIES



## MODERNIZATION OF LIGHT ARMS



AK 47 MODERNIZED BY MEX FOR NATO ARMY SPECIAL FORCE





## MODERNIZATION OF LIGHT ARMS

### ○ A Description of process and accessories

- 1- Selection of rifles to be modernized, based in quality of barrel
- 2- Recrowning the barrel to increase the accuracy
- 3- Ultrasonic washing of the entire weapon to remove fouling and copper accumulated in the angles of the rifling. The process increases the life and accuracy of the barrel
- 4- Removing the old oxidation and potential rust, bringing the weapon to factory condition and fosfating (parkerization) the whole rifle as by highest NATO standards.
- 5- If required, treating the wepon with ceracoat desert tan military standards painting. Weapons are painted with high resistance Ceracoat (a military standard painting) and coated in oven at 250 C. Thus resistance of weapon to any condition is increased, camoulage effect and betetr looking
- 6- Installing of flash hider-compensator in order to increase accuracy and controllability of the rifle both in semiauto and full auto fire. The flash hider-compensator protects the crowning of the barrel too, damaged crowns are one of the main reason of inaccuracy of Ak rifles
- 7- Installing of polymer of aluminium tactical forward grip, thus increasing stability and accuracy of the weapon, improving the look, and enabling to install more accessories
- 8- Installing coaxial tactical flashlight
- 9- Installing forward pistol grip
- 10- Checking the gas tube and piston and correcting eccesive moves and gaps, thus increasing stability and accuracy
- 11- Installing of side plate and side rail of optical devices
- 12- Insalling Red Dot Sight, Aimpoint PRO or Aimpoint Micro T1, thus multiplying accuracy and speed of reaction, especially if ambushed
- 13- Modification of magazine catch with an ambidextrous lever that enables the shooter to remove the magazine with the finger that pulls the trigger, when with the other hand takes the second magazine. Thus, speed of change of magazine is reduce from 3 to 4 times.
- 14- Modification of safety to make 3 or 4 times faster
- 15- Installing of polymer pistol grip
- 16- Installing of new stock of M4 derivation, either side folding or not as by request. The M4 stock improves the eprformance of the rifle, it can be adjusted to 6 lengths so soldiers of different height, weight, muscular mass and if they carry a bullet proof vest or not, can adjust the rifle to better fit their body.
- 17- Three point tactical sling and ambidextrous swivel attachments, thus rifle is adaptable for right hand and left hand shooters.

When rifles whose barrel has finished the life cycle are available, MEX can change the consumed barrel too, with cold hammered forged barrels of excellent quality and with a life of minimal 20.000 shootings. All processes excluding barrel change, can be made at client's premises. Barrel change if required, most of the cases must be done in Poland.





## MODERNIZATION OF LIGHT ARMS



### ○ BENEFITS OF MODERNIZATION.

- when keeping the same rifle in the same caliber, for which training, maintenance, and ammunition are available, the soldier has a totally new and decisively better rifle
- increase of accuracy and performance, speed of reaction and general capabilities and tactical value of the weapon
- use of the weapon indifferently by right hand or left hand shooters
- improve of prestige and reputation fo the Unit and the Country



AKM RIFLED MODIFIED BY MEX TECHNOLOGIES PERSONEL AND USED IN COMBAT





MEX TECHNOLOGIES



## MUNITIONS BOX

### ○ FUNCTIONAL BOX GSH

- Dimensions (L/W/H): 294,5 x 167 x 219
- Mass of empty boxes: 3,404 kg
- Mark: MB 12,7



### ○ M2A1 BOX

- Dimensions (L/W/H): 306 x 155 x 190
- Mass of empty boxes: 2,89 kg
- Mark: MB Browning







MEX TECHNOLOGIES

## MUNITIONS BOX / LINKS BANDOLEER

### ○ FUNCTIONAL BOX GSH

- Dimensions (L/W/H): 294,5 x 167 x 219
- Mass of empty boxes: 3,404 kg
- Mark: MB 12,7



### ○ LINKS BANDOLEER GSH 12,7 X 108mm

- Dimensions (L/W/H): 78,5 x 37 x 21
- Mass : 22,30 g
- Packing: Package or roll



### ○ LINKS BANDOLEER M23 mm

- Dimensions (L/W/H): 91 x 42 x 25,5
- Mass : 52,83 g
- Packing: Package or roll







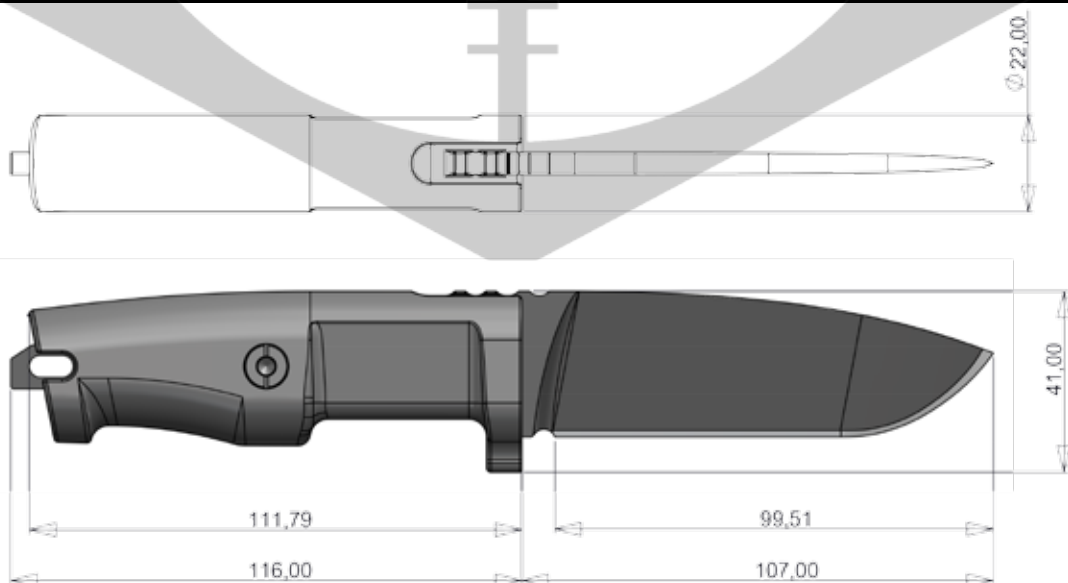
MEX TECHNOLOGIES

## COMBAT AND UTILITY KNIFE MODEL HXG-1



### OVERVIEW

A modern and effective Combat and utility knife, today is a very important piece of equipment for modern Soldier. MEX TECHNOLOGIES together with Extrema Ratio from Italy, one of the best if not the best manufacturer of military knives in the world, has designed a specific knife for Iraq. Its specific and distinguished grip of all Extrema ratio knives, has been projected in collaboration with Faculty of Medicine, Anatomy and Motion Sciences of Univeristy of Pisa, one of the most ancient and best Medicine Schools of the world. The knife HXG-1 is compact, projected for any kind of service a soldier might need it, combat by point, by cutting (eliminating enemy sentinels) and as a day by day tool. It is made with best steel from Austria, and worked with great care and attention.





MEX TECHNOLOGIES



## VIP UNDERVEST LEVEL III NIJ



### ○ OVERVIEW

This new resistant under vest is a state of art product designed for discretion and flexibility. The anatomical flex points and breathable mesh give this one piece design the optimal comfort when used in hot climate zones. The concept behind the shirt comes from professionals that are working daily in a threatening environment in hot climate zones. Their requirement for ultra-light weight, free moving space and absolute comfort is very crucial, as professionals will wear their body armour in comparison to uncomfortable armour that is often left at home. The inner fabric has properties like the thermo regulation and sweat management.

### ○ CERTIFICATION & TESTING

All our products are tested both in the field & in International Laboratories around the World. All Body Armour offered by Metalexport-S is tested strictly to ensure ongoing compliance. Through rigorous field & Laboratory testing we certify that our products offer protection as per standards set by the National Institute of Justice of America.

### ○ TESTING METHODS FOLLOWED

Self satisfactory Independent testing in the field.  
Certified level IIIA ballistic protection.  
Consumer testing.



## VIP UNDERVEST LEVEL III NIJ

### ○ TECHNICAL SPECIFICATIONS

#### FEATURES

- Ballistic Soft Panel Material: DuPont Kevlar
- Ultra Thin
- 100% flexible
- Light Weight
- Thermo Regulating
- Easily washable
- Shock Absorbing

#### PROTECTION LEVEL

- SAP (Soft Armour Pannels) protects against 9 mm Bullets as per NIJ Level IIIA

#### WEIGHT

Outer Cover + SAP Approx. 1,5 kg (for large).  
Tolerance:  $\pm$  5%.

#### COLOURS

Black, White

#### COVERAGE AREA

- Small 0.160 m<sup>2</sup>
- Medium 0.195 m<sup>2</sup>
- Large 0.209 m<sup>2</sup>
- X- large 0.232 m<sup>2</sup>
- XX-large 0.248 m<sup>2</sup>

#### SIZES

- Small,
- Medium,
- Large,
- X Large,
- XX Large

#### WARRANTY

- 5 year performance warranty on SAP
- 1 year performance warranty on Outer Carrier  
(Subject to usage conditions)







MEX TECHNOLOGIES



## CONCEALABLE VEST LOW PRO



### ○ OVERVIEW

Not all body armour should be seen. When the situation demands a low profile approach, we offer a concealable vest appropriately named the Low Pro.

With a custom cut soft armour panel, providing maximum comfort and protection, the Low Pro vest is designed to be worn underneath a shirt or jacket. Adjustable shoulders and sides allow for a snug and secure fit to the user.

### ○ CERTIFICATION AND TESTING

All our products are tested both in the field & in International Laboratories around the World.

All Body Armour offered by Metalexport-S is tested strictly to ensure ongoing compliance.

Through rigorous field & Laboratory testing we certify that our products offer protection as per standards set by the National Institute of Justice of America





## CONCEALABLE VEST LOW PRO

### ○ TECHNICAL SPECIFICATIONS

#### TESTING METHODS FOLLOWED

- Self satisfactory Independent testing in the field.
- Certified level IIIA ballistic protection.
- Consumer testing

#### FEATURES

- Lightweight bullet resistant Vest.
- Comfort Padding Front / Back and Shoulders.
- Adjustable side closure design 100% flexible.
- Front to back wrap around ballistic protection Thermo Regulating.
- Air Mesh for improved airflow around the body of the wearer.
- Allowance for Kevlar Material inserts.
- 4 size adjustment straps.
- Available in PU Coated Hardwearing Nylon Fabric, Cordura, Cotton Fabric in a range of colours.
- Externally and Internally adjustable using waist bands to secure the vest to the wearer.

#### PROTECTION LEVEL

- SAP protects against 9mm Bullets as per NIJ Level IIIA

#### PERFORMANCE

- Washable outer cover
- Transfer soft armour protection from one carrier to another

#### COLOURS

- Black, Desert Tan, Olive Green, Olive Drab, UN Blue, Navy Blue, White, Desert Camouflage, Digital desert camouflage, Digital Olive Green, Jungle Print, Multi camouflage

#### OPTIONAL ACCESSORIES

- BP Vest bag/Carrier

#### SIZES

- Small, Medium, Large, X Large, XX Large (can be customized as per requirement)

#### COVERAGE AREA

- Small 0.24 m<sup>2</sup>
- Medium 0.27 m<sup>2</sup>
- Large 0.3 m<sup>2</sup>
- X- large m<sup>2</sup>
- XX-large m<sup>2</sup>

#### WEIGHT

- Outer Cover + SAP Approx. 2.5 kg (for large).
- Tolerance: ± 5%.

#### WARRANTY

- 5 year performance warranty on SAP.
- 1 year performance on Outer Carrier. (Subject to usage conditions)





## TACTICAL VEST OPERATOR



### ○ OVERVIEW

The Operator is our standard tactical vest. Using BALCS cut soft armour panels as our baseline for designing the vest, the Operator allows for maximum protective coverage areas while maintaining mobility for the user. Our Operator vests come complete with MOLLE as standard and are available in a range of fabrics and colours. As with all of our tactical solutions, we offer a bespoke service to our clients, if you want a feature added just speak to our sales team and we can implement it for you.

### ○ CERTIFICATION AND TESTING

All our products are tested both in the field & in International Laboratories around the World.  
All Body Armour is tested strictly to ensure ongoing compliance.  
Through rigorous field & Laboratory testing we certify that our products offer protection as per standards set by the National Institute of Justice of America.

### ○ CERTIFICATION AND TESTING

All our products are tested both in the field & in International Laboratories around the World.  
All Body Armour is tested strictly to ensure ongoing compliance.  
Through rigorous field & Laboratory testing we certify that our products offer protection as per standards set by the National Institute of Justice of America.







## CONCEALABLE VEST LOW PRO

### ○ FEATURES

- Custom cut NIJ 0101.06 Level IIIA DuPont Kevlar Soft Armour.
- Allowance for 10" by 12" Hard Armour Panels of Level III, Level III+ & Level IV.(fitted in HAP Pockets).
- Allowance for Material(SAP) inserts to be used with ICW (In Conjunction With) Hard Armour Plates.
- MOLLE / PALS Load attachments.
- Comfort Padding Front / Back and Shoulders.
- Adjustable Shoulders for improved comfort.
- Air Mesh for improved airflow around the body of the wearer.
- External and Internal Cummerbunds (adjustable) to secure the vest to the wearer.
- Sturdy drag strap on Rear of Vest.
- Available in PU Coated Hardwearing Nylon Fabric, Cordura and Cotton Fabric in range of colors.

### ○ PRODUCT INFORMATION

#### PROTECTION LEVEL

- SAP (Soft Armour Panel) protects against 9mm Projectile as per NIJ Level IIIA
- Can be upgraded to NIJ LEVEL III, III+, IV, depending upon the HAP (Hard Armour Plate) used.

#### PERFORMANCE

- Washable outer cover
- Transfer soft armour protection from one carrier to another.

#### COLOURS

- Desert Tan , Olive Green , Olive Drab , UN Blue , Navy Blue, White, Desert Camouflage Digital Desert Camouflage, Digital Olive Green
- Jungle Print (as per costumers request)

#### BICEP PROTECTION

- Side Armour plate
- Pouches
- Throat Protection

#### SIZES

- Small
- Medium
- Large
- X Large
- XX Large (can be customized as per requirement)

#### SIZE COVERAGE AREA

- Small 0.27 m2
- Medium 0.31 m2
- Large 0.37 m2
- X - large 0.41 m2
- XX -large 0.44 m2

#### WEIGHT

- Outer Cover + SAP Approx. 3.2 kg (for large).
- Tolerance:  $\pm 5\%$ .

#### WARRANTY- (Subject to usage conditions)

- 10 years performance warranty on Hard Armour Panels
- 5 year performance on Soft Armour Pannels.
- 1 year performance on Outer Carrier.





## DELTA SHIELD



### OVERVIEW

In a modern-day operational scenario, the probability of being hit by multiple shots, including high calibre rounds, highlights the limitations of the most widely used personal ballistic protective gear.

When an operator takes a direct hit on his protective vest, he suffers a major trauma from the impact which restricts his ability to react immediately; moreover, in an intense exchange of gunfire at close quarters, his vest is likely to be hit by two or more shots which can jeopardise the protection system and cause it to fail.

Delta Shield has developed and patented a Swiss-made protection system, capable of stopping a large number of shots without causing almost any trauma to the operator wearing it and is resistant even if hit by several shots impacting close to one other.



### WHY DELTA SHIELD IS BETTER

The Delta Shield plate is certified and tested to NIJ level III standard and obviously guarantees protection from lower calibres; the NIJ level III standard requires that the protective plate is hit by 6 shots, with a 50 mm gap between the shots and a minimum distance of 68 mm from the edge, and that the trauma caused by impact (backface deformation of the plate) does not exceed 44 mm.

But we at Delta Shield believe these parameters are entirely unsatisfactory.

Our solution guarantees far more: it is capable of absorbing a greater number of shots just a few millimetres apart and guarantees the plate's total efficiency even when hit 30 mm from the edge.





## DELTA SHIELD

### ○ THE TECHNOLOGY BEHIND

The Delta Shield, a Swiss made plate, offers a really high quality level of protection; It is so high that, despite being a level III plate, it fulfills the level IV international standard. This is due to the use of new techniques and materials, that improve protection against bullets of all kinds, as well sharp-edged objects.



### ○ PROTECTION TYPES

#### VESTS IIIA NIJ + PLATES LEVEL III NIJ

- often bulky and rigid
- protect from powerful shots only in the area covered by rigid plates
- allow up to 44 mm blunt trauma indentation

#### VESTS WITH CERAMIC PLATES LEVEL III "STAND-ALONE"

- effectively protect from high velocity bullets but can take a limited number of hits with a minimum gap of 50 mm between shots
- allow up to 44 mm blunt trauma indentation
- they are fragile and in the event of a strong shock may be so badly damaged as to cease to be effective
- in many cases they cannot be immersed in water, on pain of causing a drop in performance
- these are the most expensive and hard-to-find models, but are lightweight

#### VESTS WITH POLYETHYLENE PLATES LEVEL III "STAND-ALONE"

- effectively protect from high velocity bullets but can take a limited number of hits with a minimum gap of 50 mm between shots
- allow up to 44 mm blunt trauma indentation
- typically allow for blunt trauma at maximum certifiable limit
- do not protect from widely used ammo rounds such as the SS109 standard NATO

#### VESTS WITH DELTA SHIELD PLATES

- protect effectively from powerful and high velocity rounds
- transfer minimal blunt trauma, only 10 mm from a distance of 15 m
- can absorb more than 12 hits
- withstand impacts as close together as 3 mm
- do not require radiographic inspection.







## DELTA SHIELD

### GENERAL CHARACTERISTICS

- Resistance to close shots
- The technology doesn't require any Radiographic Testing
- Stand-alone
- No rebound effect (in case of subsonic shots, as well as supersonic shots) and produces no bullet slivering or splintering of any kind
- Produces almost no trauma
- More than 12 shots resistance
- Thermal shock resistant
- Totally waterproof
- High resistance to severe environmental conditions
- Service life of 10 years
- More than 36% of protection in case of shots near its edges
- NIJ Standard - Armor Type III Certification



### TECHNICAL CHARACTERISTICS

- KIND: Ballistic plate
- MATERIALS: Non - ceramic
- SIZE: Standard 300x250 mm
- EFFECTIVE COVERAGE AREA: 76%
- THICKNESS: 17 mm
- WEIGHT: 2.7 Kg +/- 5%
- MULTIPLE IMPACT RESISTANCE: 12 shots
- TYPE: Stand-alone
- AVERAGE TRAUMA from 15 m: 10 mm
- PROTECTION LEVEL: 5.56 SS 109 - initial speed of 949 m/s  
5.56 M 193 - initial speed of 947 m/s  
7.62 Nato ball M 80 - initial speed of 855 m/s  
Kalashnikov-MSC 7.62x39 - initial speed of 729 m/s  
5.45 x 39 - initial speed of 952 m/s  
7.62 x 54R LPS - initial speed of 875 m/s
- SERVICE LIFE: 10 years
- STORAGE REQUIREMENTS: Minimal
- DESIGN: Shooter cut



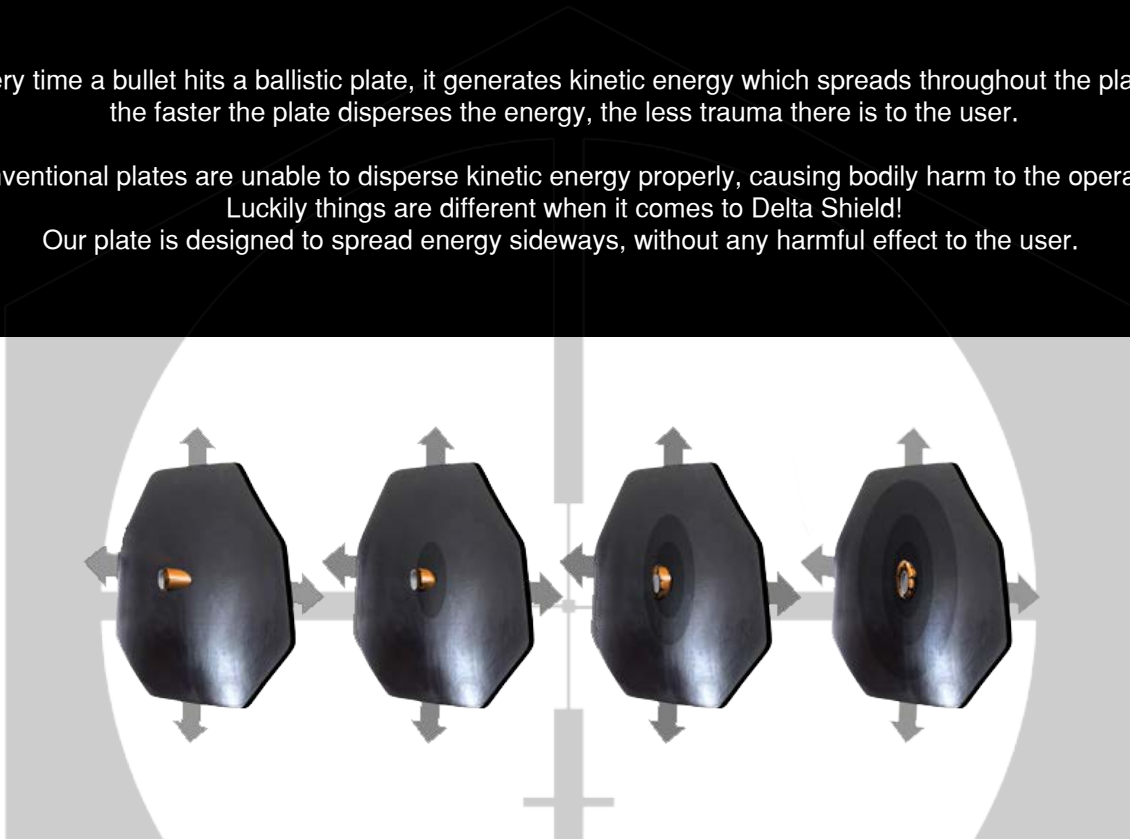


## DELTA SHIELD

### ○ KINETIC ENERGY

Every time a bullet hits a ballistic plate, it generates kinetic energy which spreads throughout the plate; the faster the plate disperses the energy, the less trauma there is to the user.

Conventional plates are unable to disperse kinetic energy properly, causing bodily harm to the operator. Luckily things are different when it comes to Delta Shield!  
Our plate is designed to spread energy sideways, without any harmful effect to the user.



### ○ EFFECTIVE PROTECTION AREA

THE NIJ STANDARD SPECIFIES A  
MINIMUM PROTECTIVE AREA OF 39%

250X300mm



DELTA SHIELD COVERS 76% OF THE TOTAL AREA,  
PROVIDING USERS WITH PROTECTION  
EVEN NEAR THE EDGES

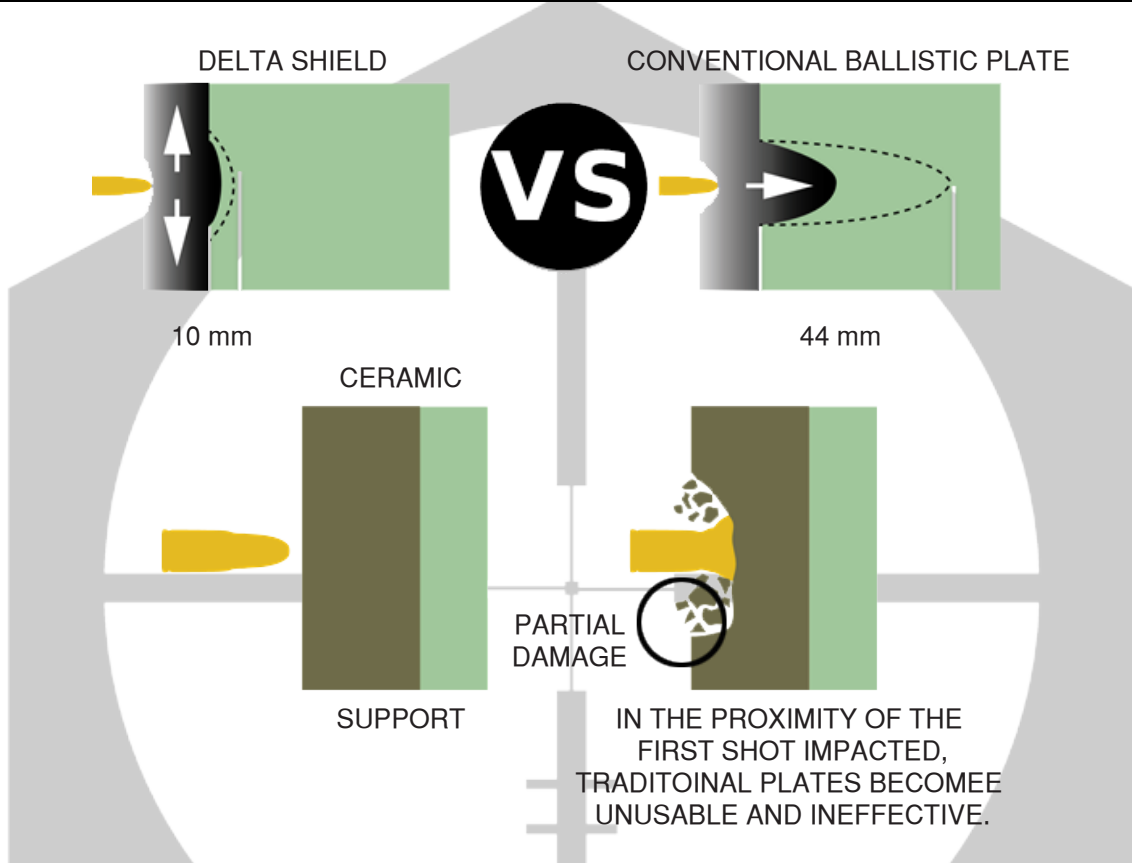
250X300 mm





# DELTA SHIELD

## TRAUMA EFFECT



## PERFORMANCE COMPARED TO NIJ STANDARDS

BFS (Maximum Blunt Trauma)  
 Maximum number of shots allowed per panel  
 Minimum shot-to-shot distance  
 Minimum shot-to-edge distance

44 mm

10 mm average

6 shots

12 shots

51 mm

3 mm

Minimum shot-to-edge distance

68 mm

25 mm (Delta Shield Panel Standard)

Extreme temperature testing

ONLY LEVELS:  
 IIA-II-III

IIA-II-III  
 Special Type-III-III  
 Special Type-IV

Duration

5 years

10 years



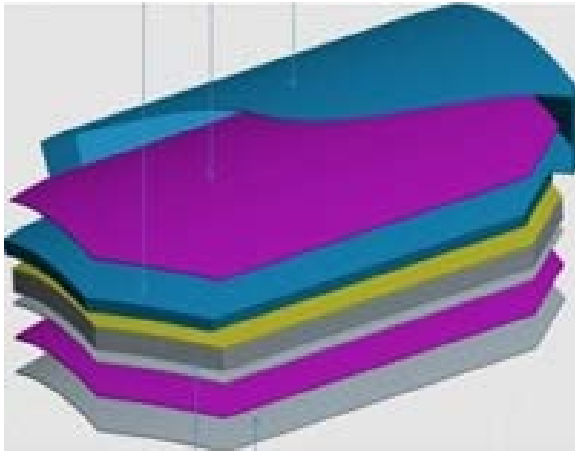


## HARD ARMOUR PANEL - 3,2 kg

HIGH DENSITY FOAM

CERAMIC TILE

BALLASTIC NYLON



UNIQUE BACKING PROCESS



### ○ OVERVIEW

The Hard Armour plate is designed to meet the complete requirements of NIJ level IV.  
This ceramic based plate also offers excellent protection against all AP rounds.

### ○ CERTIFICATION & TESTING

All our products are tested both in the field & in International Laboratories around the World.  
All Body Armour offered by Metalexport-S is tested strictly to ensure ongoing compliance.  
Through rigorous field & Laboratory testing we certify that our products offer protection as per standards set by the National Institute of Justice of America.

### ○ TESTING METHODS FOLLOWED

Self satisfactory Independent testing in the field.  
Certified level IIIA ballistic protection.  
Consumer testing.





## HARD ARMOUR PANEL - 3,2 kg

### ○ TECHNICAL SPECIFICATIONS

#### FEATURES

- Hard Armour Plate made of Ceramic Tile & Composite material backing.
- Containment of spall, debris and residues after ballistic impact
- Designed to withstand Armour Piercing projectiles (Stand Shot – Single Shot)
- Weather resistant designed for the harshest conditions
- Fluid resistant when exposed to diesel fuel, oil and salt water
- High altitude pressure resistance
- Fungus and Microbial growth resistance
- Covered with black Nylon Fabric

#### PROTECTION LEVEL

- NIJ Level IV

#### SPECIFICATION

- Model : HAP 3.2
- Weight : 3.2 Kg
- Aerial Density : 47.5 kg/ square meter
- Protection Area: 300mm x 250mm x 20mm
- Material : Hybrid Composite Material

#### WEIGHT

- 3,2 kg
- Tolerance:  $\pm 3\%$ .

#### SIZES

- 10"x12"(300mmx 250mm)

#### PROTECTION AGAINST

- Multi Shot NIJ LEVEL IV
- 7.62 x 63 mm AP (30.06)
- 7.62 x 51 mm AP (NATO)
- 7.62 x 39 mm HSC
- 7.62 x 39 mm ball (AK – 47 / AK – 56)
- 5.56 x 45 mm ball (SS – 109, M-193, M-855)
- 5.45 x 39 mm Russian ball

#### WARRANTY

10 years performance guarantee on Hard Armour Panels (Subject to usage conditions)





MEX TECHNOLOGIES



## HELMET MEX - SWK - MICH



### ○ OVERVIEW

The MICH (Modular Integrated Communication Helmet) is designed as a lighter & more compact version of the PASGT Helmet, with reduced ear coverage, no lip & reduced coverage at the back. This allows for better vision & hearing & also allows the wearer to shoot from the prone position

### ○ CERTIFICATION & TESTING

All our products are tested both in the field & in International Laboratories around the World. All Body Armour offered by Metalexport-S is tested strictly to ensure ongoing compliance. Through rigorous field & Laboratory testing we certify that our products offer protection as per standards set by the National Institute of Justice of America.

### ○ TESTING METHODS FOLLOWED

Self satisfactory Independent testing in the field.  
Certified level IIIA ballistic protection.  
Consumer testing.







## HELMET MEX - SWK - MICH

### ○ TECHNICAL SPECIFICATIONS

#### FEATURES

- High ballistic performance
- High-tenacity ballistic Aramid fiber DuPont Kevlar
- Unique processing method and perfect fit suspension system.
- 4 point chin strap harness, with an integrated nape pad.
- Crown Mesh: Crown Mesh with cross straps, with cotton chin cup.
- Excellent, Mechanical Rigidity, Impact Protection, Heat Insulation
- Resistant to:
  - All weather temperature conditions
  - Water & Moisture
  - Flame
- Compatible with add on devices like CBRN and Communication Devices etc
- Also Add-on Devices like, Ballistic Face Shield, Anti Riot face Shield can be fitted with ease.

#### PROTECTION LEVEL

- NIJ Level IIIA 9 mm bullets

#### WARRANTY

- 5 year performance guarantee on Helmet Shell (Subject to usage conditions)

#### WEIGHT

1.25 Kg -1.50 Kg ]  
± 5% for different sizes.

#### COLORS

- Olive Drab
- Desert Tan
- Black
- U.N blue

#### ACCESSORIES

- Fragmentation Face Shield
- Ballistic Face Shield
- Helmet Cover
- Helmet Bag
- Picatinny Rail
- Picatinny Adaptor
- NVD Mount





MEX TECHNOLOGIES



## MEX-SWK-SPECIAL FORCES HELMET



### ○ OVERVIEW

A lighter helmet with no lip or ear coverage especially designed for SWAT Teams and Special Services to ensure maximum flexibility and comfort. Helmet is designed to protect against fragments / shrapnel and other ballistic threats with improved comfort.

### ○ CERTIFICATION & TESTING

All our products are tested both in the field & in International Laboratories around the World. All Body Armour offered by Metalexport-S is tested strictly to ensure ongoing compliance. Through rigorous field & Laboratory testing we certify that our products offer protection as per standards set by the National Institute of Justice of America.

### ○ TESTING METHODS FOLLOWED

Self satisfactory Independent testing in the field.  
Certified level IIIA ballistic protection.  
Consumer testing.



## MEX-SWK-SPECIAL FORCES HELMET

### ○ TECHNICAL SPECIFICATIONS

#### FEATURES

- High ballistic performance
- High-tenacity ballistic Aramid fiber DuPont Kevlar
- Unique processing method and perfect fit suspension system.
- 4 point chin strap harness, with an integrated nape pad.
- Crown Mesh: Crown Mesh with cross straps, with cotton chin cup.
- Excellent, Mechanical Rigidity, Impact Protection, Heat Insulation
- Resistant to:
  - All weather temperature conditions
  - Water & Moisture
  - Flame
- Compatible with add on devices like CBRN and Communication Devices etc
- Also Add-on Devices like, Ballistic Face Shield, Anti Riot face Shield can be fitted with ease.

#### PROTECTION LEVEL

- NIJ Level IIIA - 9 mm bullet

#### WARRANTY

- 5 year performance guarantee on Helmet Shell (Subject to usage conditions)

#### COLORS

- Olive Drab
- Desert Tan
- Black
- U.N blue

#### ACCESSORIES

- Fragmentation Face Shield
- Ballistic Face Shield
- Helmet Cover
- Helmet Bag
- Picatinny Rail
- Picatinny Adaptor
- NVD Mount

#### SIZES

- Small
- Medium
- Large
- X Large

#### WEIGHT

- 1 Kg- 1.3 Kg  $\pm$  5% for different sizes.





## HELMET MEX - SWK - PASGT



### ○ OVERVIEW

The PASGT Helmet (US Personal Armour System Ground Troops) Helmet is designed to protect against fragments / shrapnel and other ballistic threats with improved comfort. Used by, Special Forces, Police, Military and SWAT teams.

### ○ CERTIFICATION & TESTING

All our products are tested both in the field & in International Laboratories around the World. All Body Armour offered by Metalexport-S is tested strictly to ensure ongoing compliance. Through rigorous field & Laboratory testing we certify that our products offer protection as per standards set by the National Institute of Justice of America.

### ○ TESTING METHODS FOLLOWED

Self satisfactory Independent testing in the field.  
Certified level IIIA ballistic protection.  
Consumer testing.





## HELMET MEX - SWK - PASGT

### ○ TECHNICAL SPECIFICATIONS

#### FEATURES

- High ballistic performance
- High-tenacity ballistic Aramid fiber DuPont Kevlar
- Unique processing method and perfect fit suspension system.
- 4 point chin strap harness, with an integrated nape pad.
- Crown Mesh: Crown Mesh with cross straps, with cotton chin cup.
- Excellent:
  - Mechanical Rigidity
  - Impact Protection
  - Heat Insulation
- Resistant to:
  - All weather temperature conditions
  - Water & Moisture
  - Flame
- Compatible with add on devices like CBRN and Communication Devices etc
- Also Add-on Devices like, Ballistic Face Shield, Anti Riot face Shield can be fitted with ease.

#### PROTECTION LEVEL

- NIJ Level IIIA 9 mm bullets

#### WARRANTY

- 5 year performance guarantee on Helmet Shell (Subject to usage conditions)

#### WEIGHT

1.25 Kg -1.50 Kg ]  
± 5% for different sizes.

#### COLORS

- Olive Drab
- Desert Tan
- Black
- U.N blue

#### ACCESSORIES

- Fragmentation Face Shield
- Ballistic Face Shield
- Helmet Cover
- Helmet Bag
- Picatinny Rail
- Picatinny Adaptor
- NVD Mount





MEX TECHNOLOGIES



## BALLISTIC SUNGLASSES: TECHNICAL SPECIFICATIONS



### ○ TECHNICAL SPECIFICATIONS

#### MOD. TOP VIEW

- TR90 Grilamid frame
- Black frame
- Lightweight and frameless
- Megol end tips
- Comfortable nose pad
- Sweat bar

#### LENS

- Spektra Defence Lens
- Easily interchangeable
- Perfect vision
- 100% optically free
- 100% UV-A UV-B and UV-C rays protection
- Available colors : transparent, smoke , orange, laser protection lens (on demand)

#### ACCESSORIES

- Case
- Replace Smoke and orange lenses
- Rx insert for prescription lens(on demand)
- Manual
- Microfiber cleaning cloth
- ARSENIK Tactical Eye

#### CERTIFICATIONS

- STANAG 2920-V50>727 ft/sec
- MIL-V-43511C
- MIL-PRF-31013







MEX TECHNOLOGIES



## BALLISTIC SUNGLASSES



### ○ TECHNICAL SPECIFICATIONS

MOD. LEOPARD (BIG) & TIGER (SMALL)

#### FRAME

- Nylon frame
- Color: Black
- Megol nose pad
- Soft Megol temples tips
- Metal plaque with ARSENIK logo on temple
- Removable elastic headband

#### LENSES

- Grey lens
- 2.2 mm polycarbonate lenses
- 100% UVA UVB Protection
- Antiscratch and Antifog treatment

#### ACCESSORIES

- Carrying-bag
- Soft microfiber cloth
- Microfiber case (on demand)
- Strap + clip
- ARSENIK Tactical Eye box

#### CERTIFICATION

- MIL-PRF-31013 clause 3.5.1.1.





MEX TECHNOLOGIES

## GOGGLES



### ○ TECHNICAL SPECIFICATIONS

#### MOD. LYNX

- Polyurethane frame
- Available frame colors :  
C01 Black, C69 Green, C76 Sand
- Removable Nose protection

#### LENSES

- Spektra Defence polycarbonate lens
- Thickness : 2.8 mm
- Antifog and antiscratch lens coatings
- High impact resistance
- 100% UV-A UV-B AND UV-C rays protection
- Perfect vision
- Lens on : Spektra Defence clear lens
- Replace Lens (included): Spektra Defence smoke lens
- Optional lenses (on demand): transparent, smoke, yellow, laser protection

#### ELASTIC BAND

- 35mm wide, high memory elastic features
- Quick adjust slides
- Easily adjustable and removable
- Available colour : black, sand or personalized elastic band (on demand)

#### FOAM

- Soft, Hypoallergenic and comfortable
- Available also without foam

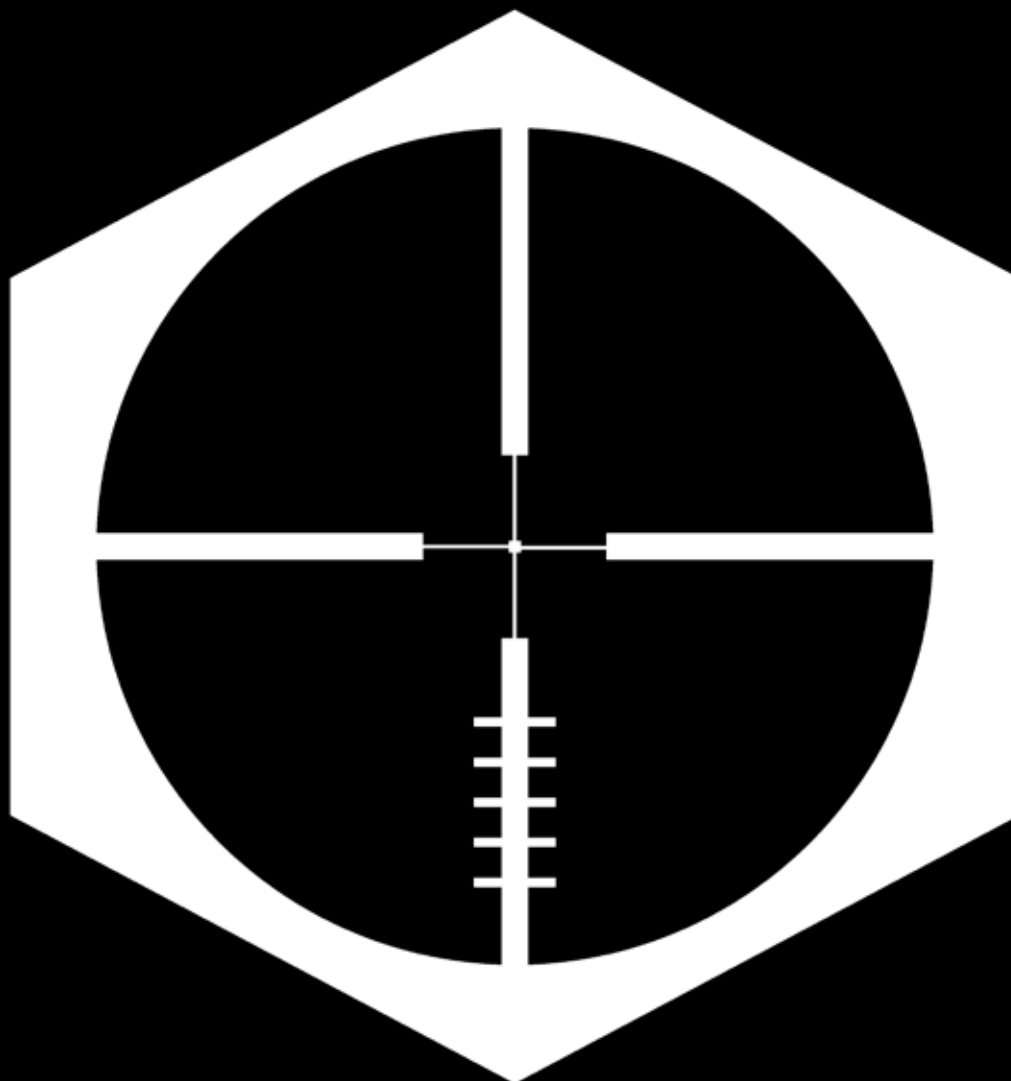
#### ACCESSORIES

- Ghost
- Case for replace lenses
- Rx insert for prescription lenses (on demand)
- Soft case with Velcro (on demand)
- Tear off (on demand)
- Replace lens
- Manual
- Nose protection
- ARSENIK tactical eye box

#### CERTIFICATION

- CE Certificate in accordance with  
EN 166:2001 , EN 170:2002
- ANSI Z87.1 +
- Exceed U.S. Military eyewear ballistic impact  
resistance requirements  
(MIL-V-43511C STANAG 2920-V50>727 ft/sec;  
MIL-STD—662F V50 Ballistic)





MEX TECHNOLOGIES  
Przemysłowa 30, 00-450 Warszawa  
Tel. (+48) 22 460 51 50  
E-mail : [biuro@mextechnologies.pl](mailto:biuro@mextechnologies.pl)  
[www.mextechnologies.pl](http://www.mextechnologies.pl)

